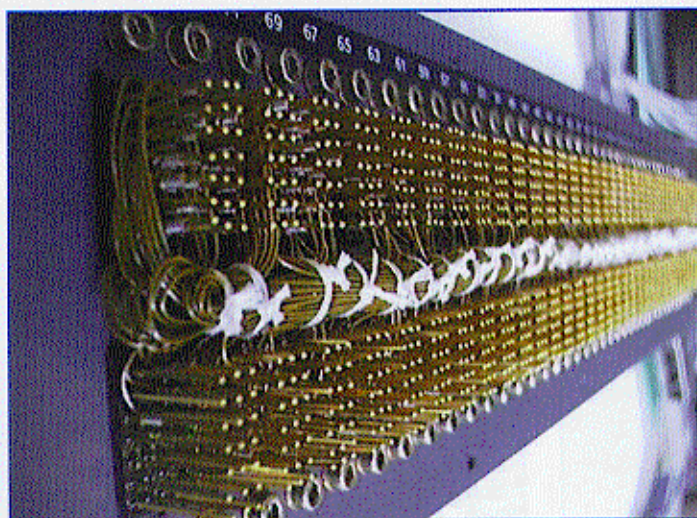




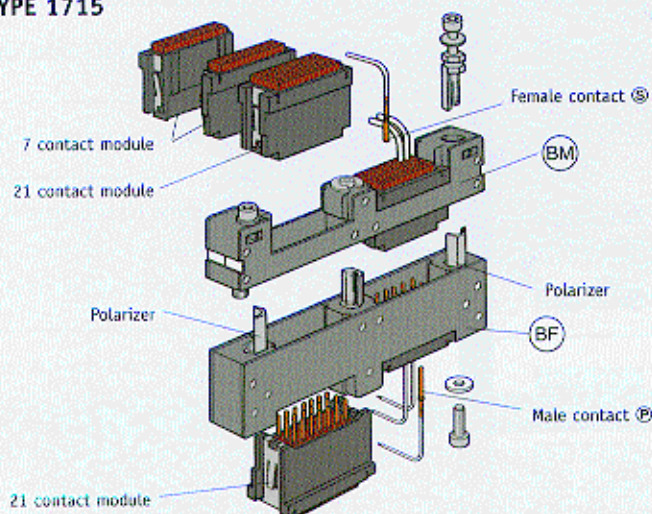
INTERCONNECTION PANELS FOR MODULAR CONNECTORS TYPES 1715 AND 1705

- Rectangular connectors assembled on a specified plate to customer's requirements.
- Two types of connectors:
 - Type 1715: module socket and plug, contacts Ⓟ and Ⓢ
 - Type 1705: monoblock socket, wrap contacts, contact Ⓢ module plug
- Crimp contacts Ⓟ and Ⓢ, sizes 22 and 20, AWG gauge 26 to 18, in conformity with MIL-C-39029/57 and 58 - EN 3155 Standards.
- Modules are sealed with patented overmoulded grommets.

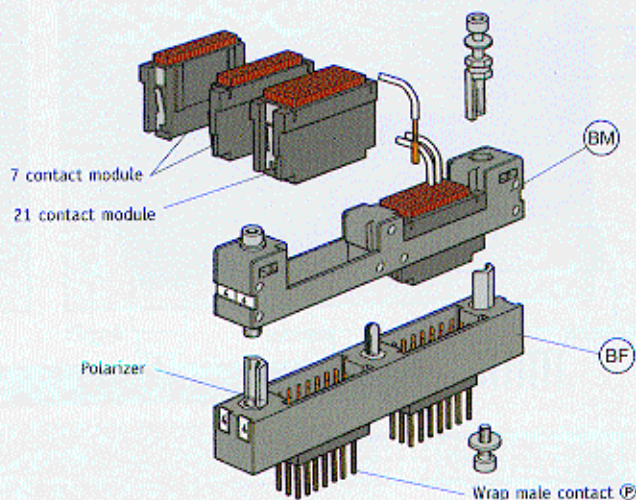
SECTION 2°



TYPE 1715



TYPE 1705



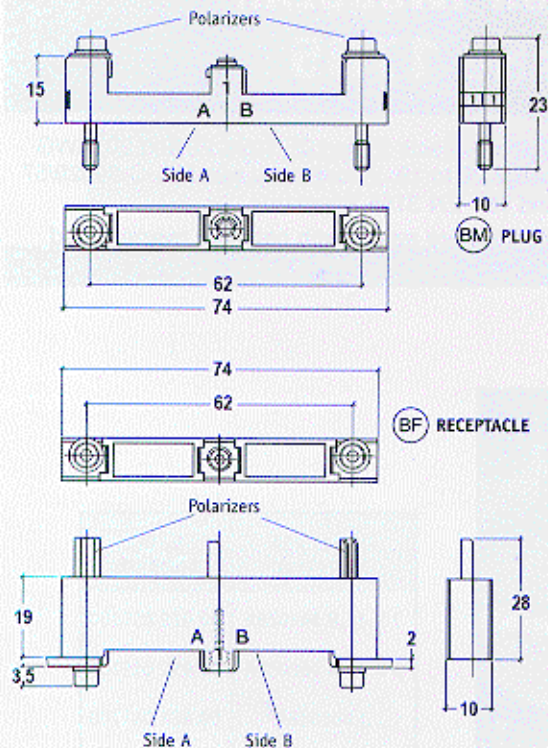
THESE CONNECTORS TYPES 1715 AND 1705 INCLUDE

- a Ⓜ plug and a Ⓜ receptacle assembled with two screws with a polarizing system allowing 216 polarizations;
- the Ⓜ plug and the Ⓜ receptacle are designed to accommodate 2 removable clipsable MODULES with male contacts Ⓟ and female contacts Ⓢ (type 1715);
- the Ⓜ receptacle of type 1705 is a monoblock with either male wrap contacts □0,6 mm, (wrapper) solder cup contacts or contacts for printed circuit boards.

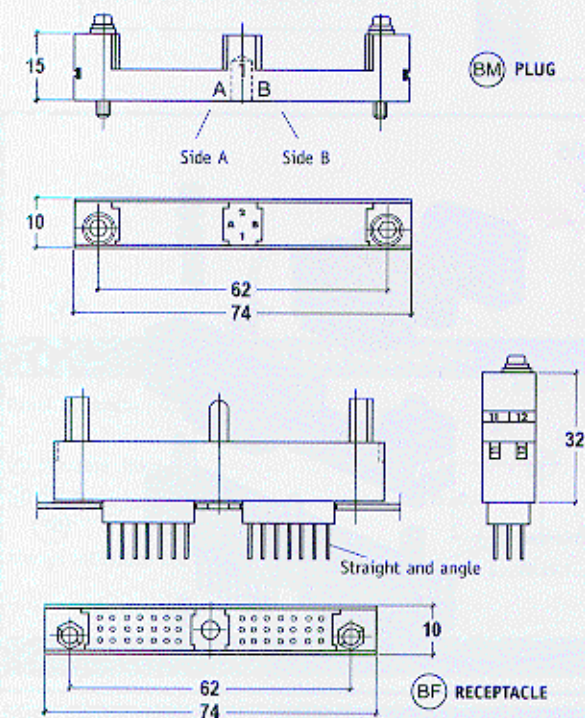


295 Kesmark
Dollard-des-Ormeaux,
Quebec, Canada H9B 3J1
Tel.: (514) 421-2153
Fax: (514) 421-3408
www.air-lb.ca

TYPE 1715



TYPE 1705



REFERENCES

CONNECTORS		TYPE 1715	TYPE 1705
Plug without polarizer	BM	001708 500 00	001708 100 10
Plug with polarizer		001708 50X XX	001709 100 XX
Receptacle without polarizer	BF	001706 500 00	
Receptacle with polarizer		001706 50X XX	
Receptacle without polarizer 42 wrap outlets □0,6 mm	BF1		001706 101 02
Receptacle with polarizer 42 wrap outlets □0,6 mm			001706 101 XX
Receptacle without polarizer 42 solder outlets (P.C.B.)	BF2		001706 120 02
Receptacle with polarizer 42 solder outlets (P.C.B.)			001706 120 XX
Receptacle without polarizer 42 solder cup outlets	BF3		001706 104 02
Receptacle with polarizer 42 solder cup outlets			001706 104 XX

Polarizing codes

REFERENCES

TYPE 1715-1705					
MODULES	SIZE	BM		BF	
		SIDE A	SIDE B	SIDE A	SIDE B
21 Contacts 	22	001705 111 56	001705 101 56	001715 111 56	001715 101 56
2 x 7 Contacts 		001705 113 56	001705 103 56	001715 113 56	001715 103 56
		001705 112 56	001705 102 56	001715 112 56	001715 102 56
* 1 x 3 + 1 x 4 Contacts 				001715 117 56	001715 107 56
*				001715 116 56	001715 106 56
10 Contacts 	20	001705 211 56	001705 201 56	001715 211 56	001715 201 56
2 x 3 + 4 Contacts 				001715 213 56	001715 203 56

*Two 7 contact modules replace one 21 contact module

TECHNICAL DATA

MODULES	:	Epoxy
SHELLS	:	Aluminium alloy / PBT
CONTACTS	:	Copper alloy, gold on nickel
OPERATING TEMPERATURE	:	-65°C +150°C permanent
WITHSTAND VOLTAGE	:	1 500 V 50 Hz
INSULATION RESISTANCE	:	>5 000 MΩ

CONTACT CURRENT	:	Size 20	7,5 A
	:	Size 22	5 A
CONTACT AWG	:	Size 20	24 / 18
	:	Size 22	26 / 22
CONTACT SECTIONS	:	Size 20	0,21 / 0,96 mm ²
	:	Size 22	0,15 / 0,38 mm ²