

# 8525 Series



## Applications

For all general purposes in civil aeronautical applications

## Standards

NFC 93422 - HE 302  
NFL 54130 - NAS 1599  
GAM T1 list  
LN 29504



## Description

- Light weight version of MIL-C 26482 Series II
- Intermateable and interchangeable with MIL-C 26482 Series I and II
- Environmental stainless steel version on request
- RFI shielding plug
- Gold plating crimp contacts # 20, # 16, # 12
- Minicoax contacts # 16
- Hermetic version available

## Characteristics

### Mechanical

- Endurance :
  - plug type 16 : 500 operations
  - plug type 36 : 250 operations
- Shock : as per NFC 93422 - HE 302
- Vibrations :
  - from 10 to 2000 Hz - acceleration : 20 G
- Contact retention in insert :
  - size 20 : 90 N size 16 : 115 N
  - size 12 : 136 N

### Electrical

- Max current rating per contact :

|         | environmental class | hermetic class |
|---------|---------------------|----------------|
| size 20 | 7,5 A               | 5 A            |
| size 16 | 13 A                | 10 A           |
| size 12 | 23 A                | 17 A           |

- Contact resistance :

|         | environmental class | hermetic class |
|---------|---------------------|----------------|
| size 20 | ≤ 1 mΩ              | ≤ 7 mΩ         |
| size 16 | ≤ 0.55 mΩ           | ≤ 3.8 mΩ       |
| size 12 | ≤ 0.35 mΩ           | ≤ 2.4 mΩ       |

- Insulation resistance :
  - ≥ 5000 MΩ at 500 Vdc
- Dielectric withstanding voltage 2 classes :
  - services I and II

| Service    | I         | II        |
|------------|-----------|-----------|
| at ground  | 1500 Vrms | 2300 Vrms |
| at 21000 m | 375 Vrms  | 550 Vrms  |

- Shell continuity with plug type 36 :
  - environmental receptacle ≤ 5 mΩ
  - hermetic receptacle ≤ 50 mΩ
- Resistance to fluids :
  - fuel : Air 3405
  - hydraulic fluid : Oronite M2V
  - lubricant : Air 3517

## Climatic

- Operating temperatures :
  - 55°C to +200°C (class R and N)
  - 55°C to +175°C (class G)
- Damp heat :
  - 56 days
- Salt spray :
  - 48 hours
- Leakage :
  - environmental version
  - low pressure immersion : 33 mbar
  - hermetic version
  - differential pressure of 1 bar air/helium, leakage is ≤ 2,8 mm<sup>3</sup> / hr

## Ordering information sealed connectors aluminum version

| basic series             | 8525 - 10   | R   | 18 B 32 | P | N | H | ••• |
|--------------------------|---|---|---------|---|---|---|-----|
| <b>shell type</b>        | 10 - square flange receptacle<br>17 - jam nut receptacle<br>16 - plug<br>36 - RFI shielded plug   |   |         |   |   |   |     |
| <b>plating</b>           | R - black anodized (non conductive plating)<br>N - nickel (conductive plating)<br>G - yellow cadmium (conductive plating)   |   |         |   |   |   |     |
| <b>contact layout</b>    | - see table p 45  |   |         |   |   |   |     |
| <b>contact type</b>      | P - male contact<br>S - female contact  |   |         |   |   |   |     |
| <b>orientation</b>       | N - normal<br>W, X, Y, Z - see table p 46   |   |         |   |   |   |     |
| <b>obligatory suffix</b> | H - 3 rear teeth at 120 degrees<br>K - rear teeth over 360 degrees  |   |         |   |   |   |     |
| <b>specification</b>     | - connector supplied without backshell, without specification<br>L - connector supplied without contact<br>008 - connector supplied with special contacts # 20 for 0.38 to 0.93 mm <sup>2</sup> cable or # 16 for 0.93 to 1.91 mm <sup>2</sup> cable<br>068 - mixed contact layouts (# 20 and # 16)<br>connector supplied with special contacts # 20 for 0.38 to 0.93 mm <sup>2</sup> cable, and standard contacts # 16<br>009 - receptacle 10 or 17 with straight spills contacts size 20 - Ø 0.60 mm - size 16 - Ø 1.00 mm - length max 7.30 mm<br>connector supplied with backshells<br>001 - backnut<br>002 - straight cable clamp<br>003 - elbow cable clamp<br>011 - backnut*<br>013 - elbow cable clamp* | 007 - backshell for heatshrink sleeving<br>057 - backnut for heatshrink sleeving<br>012 - straight cable clamp*<br>017 - backshell for heatshrink sleeving*<br>018 - backshell for solder shield termination* |         |   |   |   |     |

\*Connector supplied with special contacts (large barrel)

# 8525 Series



## Hermetic connectors

|                          |   |
|--------------------------|---|
| <b>basic series</b>      | <b>8525 - I H 18 B 32 P N H ...</b>   |
| <b>shell type</b>        | <ul style="list-style-type: none"> <li><b>I</b> - solder fixing receptacle</li> <li><b>02</b> - square flange receptacle</li> <li><b>07</b> - jam nut receptacle</li> </ul> |
| <b>hermetic version</b>  | <b>H</b> - stainless steel  |
| <b>contact layout</b>    | - see table p 45  |
| <b>contact type</b>      | <b>P</b> - male contact only  |
| <b>orientation</b>       | <ul style="list-style-type: none"> <li><b>N</b> - normal</li> <li><b>W, X, Y, Z</b> - see table p 46</li> </ul>   |
| <b>obligatory suffix</b> |   |
| <b>specification</b>     | <b>002</b> - large flange 02 H version  |

## Backshells aluminum version

|                       |   |
|-----------------------|---|
| <b>basic series</b>   | <b>852 - 01 A 18</b>  |
| <b>backshell type</b> | <ul style="list-style-type: none"> <li><b>01</b> - backnut</li> <li><b>02</b> - straight cable clamp</li> <li><b>03</b> - elbow cable clamp</li> <li><b>17</b> - backshell for heatshrink sleeving</li> <li><b>57</b> - backnut for heatshrink sleeving</li> <li><b>18</b> - backshell for solder shield termination</li> </ul> |
| <b>plating</b>        | <ul style="list-style-type: none"> <li><b>A</b> - black anodized</li> <li><b>R</b> - black anodized with blue anodized backshell nut</li> <li><b>N</b> - nickel</li> <li><b>J</b> - yellow cadmium</li> </ul>   |
| <b>shell size</b>     | <b>08-10-12-14-16-18-20-22-24</b>   |

## Backshells stainless steel version

|                       |   |
|-----------------------|---|
| <b>basic series</b>   | <b>8527 - 01 14 •</b>   |
| <b>backshell type</b> | <ul style="list-style-type: none"> <li><b>01</b> - backnut</li> <li><b>02</b> - straight cable clamp</li> </ul> |
| <b>shell size</b>     | <b>08-10-12-14-16-18-20-22-24</b>   |
| <b>specification</b>  | <b>A</b> - obligatory suffix for backshell type 02 only   |

# 8525 Series



## Cross reference list

| ALUMINIUM VERSION / DESIGNATION         | FCI SOURIAU        | ASN-E           | NSA                 | NFC 93422 - HE 302 | ABS                |                |
|---|--------------------|-----------------|---------------------|--------------------|--------------------|----------------|
| square flange receptacle                | 8525-10 R          | H008*           | ASN-E 0053 R E      | NSA 938001 R P S   |                    |                |
|   | 8525-10 N          | H008*           | ASN-E 0053 N E      |                    |                    |                |
|   | 8525-10 R          | HL              | ASN-E 0053 R F      | NSA 938001 R P S C |                    |                |
|   | 8525-10 N          | HL              | ASN-E 0053 N F      |                    |                    |                |
|   | 8525-10 R          | H               |                     |                    | HE 302-0R P 1F     |                |
|   | 8525-10 N          | H               |                     |                    | HE 302-0R P 6F     |                |
|   | jam nut receptacle | 8525-17 R       | H008*               | ASN-E 0054 R E     | NSA 938002 R P S   |                |
|   |                    | 8525-17 N       | H008*               | ASN-E 0054 N E     |                    |                |
|   |                    | 8525-17 R       | HL                  | ASN-E 0054 R F     | NSA 938002 R P S C |                |
|   |                    | 8525-17 N       | HL                  | ASN-E 0054 N F     |                    |                |
|   |                    | 8525-17 R       | H                   |                    |                    | HE 302-7R P 1F |
|   |                    | 8525-17 N       | H                   |                    |                    | HE 302-7R P 6F |
| plug                                    | 8525-16 R          | H008*           | ASN-E 0052 R E      | NSA 938000 R P S   |                    |                |
|   | 8525-16 N          | H008*           |                     |                    |                    |                |
|   | 8525-16 R          | HL              | ASN-E 0052 R F      | NSA 938000 R P S C |                    |                |
|   | 8525-16 N          | HL              |                     |                    |                    |                |
|   | 8525-16 R          | H               |                     |                    | HE 302-6R P 1F     |                |
|   | 8525-16 N          | H               |                     |                    | HE 302-6R P 6F     |                |
| RFI shielded plug                       | 8525-36 N          | H008*           | ASN-E 0052 N E      |                    |                    |                |
|   | 8525-36 N          | HL              | ASN-E 0052 N F      |                    |                    |                |
|   | 8525-36 N          | H               |                     |                    | HE 302-8R P 6F     |                |
| STAINLESS STEEL VERSION                 | FCI SOURIAU        | ASN-E           | NSA                 | NFC 93422 - HE 302 | ABS                |                |
| square flange receptacle                | 8525-10 K          | H008*           |                     |                    | ABS 0595 S E       |                |
|   | 8525-10 K          | HL              |                     |                    | ABS 0595 S F       |                |
| jam nut receptacle                      | 8525-17 K          | H008*           |                     |                    | ABS 0594 S E       |                |
|   | 8525-17 K          | HL              |                     |                    | ABS 0594 S F       |                |
| RFI shielded plug                       | 8525-36 K          | H008*           |                     |                    | ABS 0592 S E       |                |
|   | 8525-36 K          | HL              |                     |                    | ABS 0592 S F       |                |
| square flange hermetic recep.           | 8525-02 H          | P H             |                     | HE 302-2H P 0F     |                    |                |
| jam nut hermetic receptacle             | 8525-07 H          | P H             |                     | HE 302-7H P 0F     |                    |                |
| solder mounting hermetic receptacle     | 8525-1 H           | P H             |                     | HE 302-1H P 0F     |                    |                |
| ACCESSORIES                             |                    |                 |                     |                    |                    |                |
| backnut                                 | 852-01 R           | ASN-E 0046-01 B | NSA 938 150 02      | HE 302-01R B1      |                    |                |
| straight cable clamp                    | 852-01 A           | ASN-E 0046-01 N |                     | HE 302-01G B6      |                    |                |
| elbow cable clamp                       | 852-02 R           | ASN-E 0047-01 B | NSA 938 150 03      | HE 302-02R B1      |                    |                |
|   | 852-02 A           | ASN-E 0047-01 N |                     | HE 302-02G B6      |                    |                |
| backshell for heatshrink sleeving       | 852-03 R           | ASN-E 0047-02 B | NSA 938 150 01      | HE 302-03R B1      |                    |                |
|   | 852-03 A           | ASN-E 0047-02 N |                     | HE 302-03G B6      |                    |                |
| backshell for solder shield termination | 852-17 R           |                 |                     | HE 302-04R B1      |                    |                |
|   | 852-17 A           |                 |                     | HE 302-04G B6      |                    |                |
| thread protective nut                   | 852-18 R           |                 |                     | HE 302-05R B1      |                    |                |
|   | 852-18 A           |                 |                     | HE 302-05G B6      |                    |                |
| male contacts                           | 852-04 R           | ASN-E 0046-02 B | NSA 938 003         |                    |                    |                |
|   | 852-04 A           | ASN-E 0046-02 N |                     |                    |                    |                |
|   | 8522-2349 A        |                 | NSA 938 151 PA 2000 |                    |                    |                |
|   | 8526-1349          |                 | NSA 938 151 PA 1600 |                    |                    |                |
|   | 8526-1350          |                 | NSA 938 151 PA 1200 |                    |                    |                |
| female contacts                         | 8522-6179 A        |                 | NSA 938 151 PA 1601 |                    |                    |                |
|   | 8520-292           |                 | NSA 938 152 SA 2000 |                    |                    |                |
|   | 8526-1346          |                 | NSA 938 152 SA 1600 |                    |                    |                |
|   | 8526-1347          |                 | NSA 938 152 SA 1200 |                    |                    |                |
|   | 8526-1344          |                 |                     |                    |                    |                |
| male thermocouple contacts              | 8522-875           |                 | NSA 938 152 PB 2000 |                    |                    |                |
|   | 8522-876           |                 | NSA 938 152 PC 2000 |                    |                    |                |
| female thermocouple contacts            | 8522-877           |                 | NSA 938 152 SB 2000 |                    |                    |                |
|   | 8522-878           |                 | NSA 938 152 SC 2000 |                    |                    |                |
| female mini coax. contacts              | 8522-1-001         |                 | NSA 938 171 PL 1600 |                    |                    |                |
| male mini coax. contacts                | 8522-1-002         |                 |                     |                    |                    |                |
|   | 8522-2-001         |                 | NSA 938 172 SL 1600 |                    |                    |                |
| cap for receptacle                      | 852 -R             |                 | NSA 938 005         | HE 302-B00 AF      |                    |                |
|   | 852 -N             |                 | NSA 938 007         | HE 302-B16 AF      |                    |                |

\* 008 : for # 20 contact layouts - 068 : for mixed contact # 20 and # 16 - nothing : for # 16 or # 12 contact layouts

# 8525 Series



## Contact layouts viewed from front face of male insulator

| shells  |         |          |                   |                   |                  |                   |                    |                       |
|---------|---------|----------|-------------------|-------------------|------------------|-------------------|--------------------|-----------------------|
| 8       | 10      | 12       | 14                | 16                | 18               | 20                | 22                 | 24                    |
| 8 B 3A* | 10 B 6* | 12 B 10* | 14 B 19*          | 16 B 26*          | 18 B 32*         | 20 B 41*          | 22 B 55*           | 24 B 61*              |
|         |         |          |                   |                   |                  |                   |                    |                       |
| 3 # 20  | 6 # 20  | 10 # 20  | 19 # 20           | 26 # 20           | 32 # 20          | 41 # 20           | 55 # 20            | 61 # 20               |
| 8 B 33* | SN 0394 | 12 B 3*  | 14 B 15*          | 16 B 8*           | 18 B 11          | 20 B 39*          | 22 B 41*           | 24 B 31               |
|         |         |          |                   |                   |                  |                   |                    |                       |
| 3 # 20  | 1 coax  | 3 # 16   | 14 # 20<br>1 # 16 | 8 # 16            | 11 # 16          | 37 # 20<br>2 # 16 | 27 # 20<br>14 # 16 | 31 # 16               |
|         |         |          | 14 B 12*          | 16 B 21           | 18 B 8*          | 20 B 16*          | 22 B 21*           | 24 B 19               |
|         |         |          |                   |                   |                  |                   |                    |                       |
|         |         |          | 8 # 20<br>4 # 16  | 16 # 20<br>5 # 16 | 8 # 12           | 16 # 16           | 21 # 16            | 19 # 12               |
|         |         |          | 14 B 5*           |                   | SN 0468          | 20 B 34           | 22 B 12            | SN 1229               |
|         |         |          |                   |                   |                  |                   |                    |                       |
|         |         |          | 5 # 16            |                   | 2 # 12<br>2 # 20 | 26 # 20<br>8 # 16 | 12 # 12            | 52 Ø 1<br>2 coax # 12 |
|         |         |          | 14 B 4*           |                   |                  |                   |                    | SN 0797               |
|         |         |          |                   |                   |                  |                   |                    |                       |
|         |         |          | 4 # 12            |                   |                  |                   |                    | 58 Ø 1<br>1 coax 50 Ω |

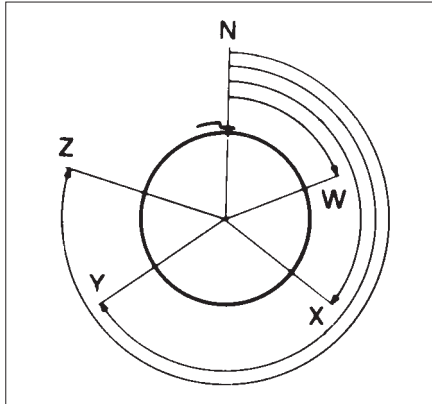
\* hermetic receptacle available  
 Specials (SHTP)

# 8525 Series



## Polarization viewed from front face of male insulator

(insulator rotated inside metal body)



| shell size | layouts | service I<br>1500 Vrms | service II<br>2300 Vrms | number of contacts |         |         | angles in degrees |     |     |     |     |
|------------|---------|------------------------|-------------------------|--------------------|---------|---------|-------------------|-----|-----|-----|-----|
|            |         |                        |                         | size 20            | size 16 | size 12 | N                 | W   | X   | Y   | Z   |
| 08         | 8 B 3 A | X                      |                         | 3                  |         |         | 0                 | 60  | 210 | -   | -   |
|            | 8 B 33  | X                      |                         | 3                  |         |         | 0                 | 90  | -   | -   |     |
| 10         | 10 B 6  | X                      |                         | 6                  |         |         | 0                 | 90  | -   | -   |     |
| 12         | 12 B 10 | X                      |                         | 10                 |         |         | 0                 | 60  | 155 | 270 | 295 |
|            | 12 B 3  |                        | X                       |                    | 3       |         | 0                 | 140 | 220 | 180 | -   |
| 14         | 14 B 19 | X                      |                         | 19                 |         |         | 0                 | 30  | 165 | 315 | -   |
|            | 14 B 15 | X                      |                         | 14                 | 1       |         | 0                 | 17  | 110 | 155 | 234 |
|            | 14 B 12 | X                      |                         | 8                  | 4       |         | 0                 | 43  | 90  | -   | -   |
|            | 14 B 5  |                        | X                       |                    | 5       |         | 0                 | 40  | 92  | 184 | 273 |
|            | 14 B 4  | X                      |                         |                    |         | 4       | 0                 | 45  | -   | -   | -   |
| 16         | 16 B 26 | X                      |                         | 26                 |         |         | 0                 | 60  | -   | 275 | 338 |
|            | 16 B 8  |                        | X                       |                    | 8       |         | 0                 | 54  | 152 | 180 | 331 |
|            | 16 B 21 | X                      |                         | 16                 | 5       |         | 0                 | -   | -   | -   | -   |
| 18         | 18 B 32 | X                      |                         | 32                 |         |         | 0                 | 85  | 138 | 222 | 265 |
|            | 18 B 11 |                        | X                       |                    | 11      |         | 0                 | 62  | 119 | 241 | 340 |
|            | 18 B 8  | X                      |                         |                    |         | 8       | 0                 | 180 | -   | -   | -   |
| 20         | 20 B 41 | X                      |                         | 41                 |         |         | 0                 | 45  | 126 | 225 | -   |
|            | 20 B 39 | X                      |                         | 37                 | 2       |         | 0                 | 63  | 144 | 252 | 333 |
|            | 20 B 16 |                        | X                       |                    | 16      |         | 0                 | 238 | 318 | 333 | 347 |
|            | 20 B 34 | X                      |                         | 26                 | 8       |         | 0                 | -   | -   | -   | -   |
| 22         | 22 B 55 | X                      |                         | 55                 |         |         | 0                 | 30  | 142 | 226 | 314 |
|            | 22 B 41 | X                      |                         | 27                 | 14      |         | 0                 | 39  | 135 | 264 | -   |
|            | 22 B 21 |                        | X                       |                    | 21      |         | 0                 | 16  | 135 | 175 | 349 |
|            | 22 B 12 | X                      |                         |                    |         | 12      | 0                 | -   | -   | -   | -   |
| 24         | 24 B 61 | X                      |                         | 61                 |         |         | 0                 | 90  | 180 | 270 | 324 |
|            | 24 B 31 | X                      |                         |                    | 31      |         | 0                 | 90  | 225 | 255 | -   |
|            | 24 B 19 |                        | X                       |                    |         | 19      | 0                 | 30  | 165 | 315 | -   |

## Contacts

| contact size | # 20 standard | # 20 special | # 16 standard | # 16 special | # 12 standard | # 12 special |
|--------------|---------------|--------------|---------------|--------------|---------------|--------------|
|--------------|---------------|--------------|---------------|--------------|---------------|--------------|

## Technical characteristics

|                    |        |        |           |           |           |           |
|--------------------|--------|--------|-----------|-----------|-----------|-----------|
| diameter           | 1 mm   | 1 mm   | 1,6 mm    | 1,6 mm    | 2,4 mm    | 2,4 mm    |
| retention force    | 90 N   | 90 N   | 115 N     | 115 N     | 136 N     | 136 N     |
| current rating     | 7,5 A  | 7,5 A  | 13 A      | 13 A      | 23 A      | 23 A      |
| contact resistance | ≤ 1 mΩ | ≤ 1 mΩ | ≤ 0,55 mΩ | ≤ 0,55 mΩ | ≤ 0,35 mΩ | ≤ 0,35 mΩ |

## Admissible wires

|                             |                              |                              |                              |                              |                              |                              |
|-----------------------------|------------------------------|------------------------------|------------------------------|------------------------------|------------------------------|------------------------------|
| external Ø over insulator   | 0,98 to 2,11 mm              | 0,98 to 2,11 mm              | 1,34 to 2,62 mm              | 1,34 to 2,62 mm              | 2,45 to 4,01 mm              | 0,98 to 2,11 mm              |
| admissible section          | 0,21 to 0,60 mm <sup>2</sup> | 0,38 to 0,93 mm <sup>2</sup> | 0,60 to 1,34 mm <sup>2</sup> | 0,60 to 1,91 mm <sup>2</sup> | 1,91 to 3,18 mm <sup>2</sup> | 0,38 to 0,93 mm <sup>2</sup> |
| wire gauge                  | 24 to 20                     | 22 to 18                     | 20 to 16                     | 18 to 14                     | 14 to 12                     | 22 to 18                     |
| reducing sleeve for wire of | 0,09 to 0,21 mm <sup>2</sup> | -                            | -                            | -                            | -                            | -                            |

## Part numbers

|  |               |                |               |             |               |               |
|--|---------------|----------------|---------------|-------------|---------------|---------------|
| male contact                             | 8526-1348     | 8522-2349 A    | 8526-1349     | 8522-6179 A | 8526-1350     | 8526-5041     |
| female contact                           | 8526-1344     | 8520-292       | 8526-1346     | 8522-6180 A | 8526-1347     | 8526-5591 A   |
| colour code                              | red-red       | red-violet     | blue-blue     | blue-orange | yellow-yellow | violet-yellow |
| male contact<br>thermocouple - chromel   | 8522-875      | 8522-3761      | 8522-881      | -           | 8522-887      | -             |
| colour code                              | yellow        | yellow         | yellow        | -           | yellow        | -             |
| thermocouple - alumel                    | 8522-876      | 8522-3760      | 8522-882      | -           | 8522-888      | -             |
| colour code                              | black (1 dot) | black (2 dots) | black (1 dot) | -           | black (1 dot) | -             |
| female contact<br>thermocouple - chromel | 8522-877      | 8522-3770      | 8522-883      | -           | 8522-889      | -             |
| colour code                              | yellow        | yellow         | yellow        | -           | yellow        | -             |
| thermocouple - alumel                    | 8522-878      | 8522-3771      | 8522-884      | -           | 8522-890      | -             |
| colour code                              | black         | black (2 dots) | black (1 dot) | -           | black (1 dot) | -             |
| reducing sleeve                          | 8522-2142     | -              | -             | -           | -             | -             |

## Minicoax contacts

minicoax installed instead of size 16 contacts

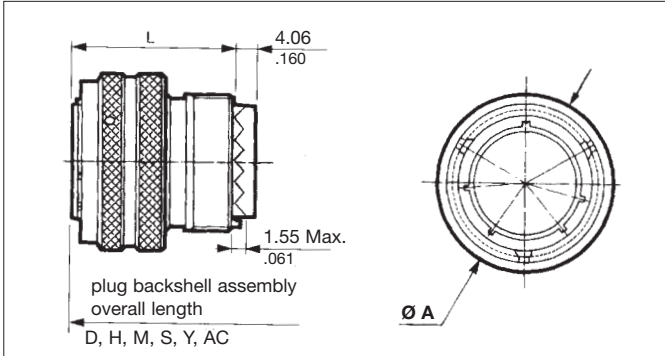
|                 |   |   |                                  |
|-----------------|---|---|----------------------------------|
| male contacts   |   | 8522-2-001  | 8522-2-002                       |
| female contacts |   | 8522-1-001  | 8522-1-002                       |
| cables accepted | - | RG 316 U KX 22 A<br>RG 174 U KX 3 A<br>RG 188 A/U<br>RG 179 B/U | RG 178 B/U KX 21 A<br>RG 196 A/U |

# 8525 Series



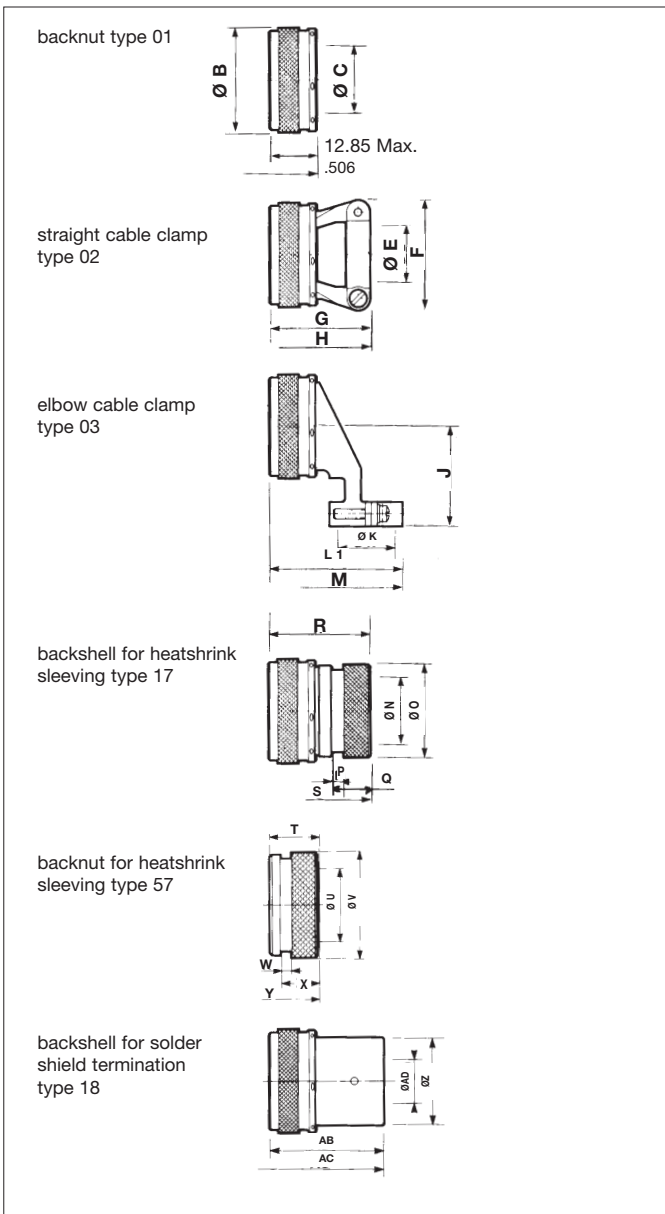
## Dimensions

### Plug type 16 and 36



| shell size | A Max          | B Max          | C              | D Max          | E Max          | F Max          | G Max          | H Max          | L Max          |
|------------|----------------|----------------|----------------|----------------|----------------|----------------|----------------|----------------|----------------|
| 8          | 18.95<br>.746  | 15.65<br>.616  | 6.75<br>.266   | 31.40<br>1.236 | 5.85<br>.230   | 19.10<br>.752  | 22.25<br>.876  | 40.80<br>1.606 | 25.50<br>1.004 |
| 10         | 22.65<br>.892  | 18.60<br>.732  | 9.40<br>.370   | 31.40<br>1.236 | 8.70<br>.343   | 20.30<br>.799  | 22.25<br>.876  | 40.80<br>1.606 | 25.50<br>1.004 |
| 12         | 25.75<br>1.014 | 21.75<br>.856  | 12.80<br>.504  | 31.40<br>1.236 | 12.00<br>.472  | 23.50<br>.925  | 22.25<br>.876  | 40.80<br>1.606 | 25.50<br>1.004 |
| 14         | 29.75<br>1.171 | 24.95<br>.982  | 14.75<br>.581  | 31.40<br>1.236 | 16.75<br>.659  | 25.50<br>1.004 | 27.45<br>1.081 | 46.00<br>1.811 | 25.50<br>1.004 |
| 16         | 32.95<br>1.297 | 28.20<br>1.110 | 17.95<br>.707  | 31.40<br>1.236 | 20.55<br>.809  | 29.50<br>1.161 | 27.45<br>1.081 | 46.00<br>1.811 | 25.50<br>1.004 |
| 18         | 35.35<br>1.392 | 30.90<br>1.217 | 19.95<br>.785  | 31.40<br>1.236 | 22.55<br>.888  | 32.30<br>1.272 | 27.45<br>1.081 | 46.00<br>1.811 | 25.50<br>1.004 |
| 20         | 38.75<br>1.526 | 34.15<br>1.344 | 23.10<br>.909  | 32.70<br>1.287 | 25.75<br>1.014 | 36.00<br>1.417 | 27.45<br>1.081 | 47.30<br>1.862 | 27.00<br>1.063 |
| 22         | 41.85<br>1.648 | 37.25<br>1.467 | 26.30<br>1.035 | 32.70<br>1.287 | 28.95<br>1.140 | 39.00<br>1.535 | 27.45<br>1.081 | 47.30<br>1.862 | 27.00<br>1.063 |
| 24         | 45.05<br>1.774 | 40.45<br>1.593 | 29.20<br>1.150 | 32.70<br>1.287 | 32.05<br>1.262 | 42.70<br>1.681 | 27.45<br>1.081 | 47.30<br>1.862 | 27.00<br>1.063 |

## Backshells



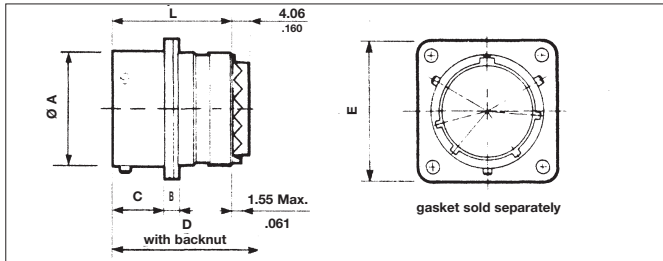
| shell size | J Max          | K min.         | K Max          | L Max          | M Max          | N min.         | O Max          | P            | Q Max         | R Max          |
|------------|----------------|----------------|----------------|----------------|----------------|----------------|----------------|--------------|---------------|----------------|
| 8          | 20.00<br>.787  | 4.00<br>.157   | 5.85<br>.230   | 25.00<br>.984  | 43.80<br>1.724 | 6.75<br>.266   | 13.50<br>.531  | 3.30<br>.130 | 10.60<br>.417 | 28.55<br>1.124 |
| 10         | 22.20<br>.874  | 6.85<br>.270   | 8.70<br>.343   | 27.90<br>1.098 | 46.70<br>1.839 | 9.40<br>.370   | 15.35<br>.604  | 3.30<br>.130 | 10.60<br>.417 | 28.55<br>1.124 |
| 12         | 24.00<br>.945  | 10.15<br>.400  | 12.00<br>.472  | 31.20<br>1.228 | 50.00<br>1.969 | 12.80<br>.504  | 19.65<br>.774  | 3.30<br>.130 | 10.60<br>.417 | 28.55<br>1.124 |
| 14         | 24.50<br>.965  | 11.70<br>.461  | 16.75<br>.659  | 32.80<br>1.291 | 51.60<br>2.031 | 14.75<br>.581  | 21.25<br>.837  | 3.30<br>.130 | 10.60<br>.417 | 28.55<br>1.124 |
| 16         | 27.00<br>1.063 | 15.50<br>.610  | 20.55<br>.809  | 36.50<br>1.437 | 55.30<br>2.177 | 17.93<br>.706  | 24.45<br>.963  | 3.30<br>.130 | 10.60<br>.417 | 28.55<br>1.124 |
| 18         | 28.60<br>1.126 | 17.50<br>.689  | 22.55<br>.888  | 38.50<br>1.516 | 57.30<br>2.256 | 19.94<br>.785  | 26.45<br>1.041 | 3.30<br>.130 | 10.60<br>.417 | 28.55<br>1.124 |
| 20         | 30.10<br>1.185 | 20.70<br>.815  | 25.75<br>1.014 | 41.80<br>1.646 | 61.90<br>2.437 | 23.11<br>.910  | 30.90<br>1.217 | 3.30<br>.130 | 10.60<br>.417 | 28.55<br>1.124 |
| 22         | 31.90<br>1.256 | 23.90<br>.941  | 28.95<br>1.140 | 45.00<br>1.772 | 65.10<br>2.563 | 26.29<br>1.035 | 34.40<br>1.354 | 3.30<br>.130 | 10.60<br>.417 | 28.55<br>1.124 |
| 24         | 33.40<br>1.315 | 27.00<br>1.063 | 32.05<br>1.262 | 48.00<br>1.890 | 68.10<br>2.681 | 29.20<br>1.150 | 36.65<br>1.443 | 3.30<br>.130 | 10.60<br>.417 | 28.55<br>1.124 |

| shell size | S Max          | I             | U min.         | V Max          | W            | X Max         | Y Max          | Z              | AB Max         | AC Max         | AD Max        |
|------------|----------------|---------------|----------------|----------------|--------------|---------------|----------------|----------------|----------------|----------------|---------------|
| 8          | 46.90<br>1.846 | 13.72<br>.540 | 6.75<br>.266   | 17.48<br>.688  | 3.30<br>.130 | 10.50<br>.413 | 32.00<br>1.260 | 11.50<br>.453  | 27.55<br>1.085 | 45.90<br>1.807 | 6.50<br>.256  |
| 10         | 46.90<br>1.846 | 13.72<br>.540 | 9.40<br>.370   | 20.40<br>.803  | 3.30<br>.130 | 10.50<br>.413 | 32.00<br>1.260 | 15.00<br>.591  | 27.55<br>1.085 | 45.90<br>1.807 | 8.50<br>.335  |
| 12         | 46.90<br>1.846 | 13.72<br>.540 | 12.80<br>.504  | 23.83<br>.938  | 3.30<br>.130 | 10.50<br>.413 | 32.00<br>1.260 | 18.00<br>.709  | 27.55<br>1.085 | 45.90<br>1.807 | 12.50<br>.492 |
| 14         | 46.90<br>1.846 | 13.72<br>.540 | 14.75<br>.581  | 27.00<br>1.063 | 3.30<br>.130 | 10.50<br>.413 | 32.00<br>1.260 | 21.00<br>.827  | 31.55<br>1.242 | 49.90<br>1.965 | 13.50<br>.531 |
| 16         | 46.90<br>1.846 | 13.72<br>.540 | 17.93<br>.706  | 31.45<br>1.238 | 3.30<br>.130 | 10.50<br>.413 | 32.00<br>1.260 | 24.00<br>.945  | 31.55<br>1.242 | 49.90<br>1.965 | 17.50<br>.689 |
| 18         | 46.90<br>1.846 | 13.72<br>.540 | 19.94<br>.785  | 33.27<br>1.310 | 3.30<br>.130 | 10.50<br>.413 | 32.00<br>1.260 | 25.50<br>1.004 | 31.55<br>1.242 | 49.90<br>1.965 | 19.50<br>.768 |
| 20         | 48.20<br>1.898 | 13.72<br>.540 | 23.11<br>.910  | 36.47<br>1.436 | 3.30<br>.130 | 10.50<br>.413 | 33.30<br>1.311 | 28.50<br>1.122 | 35.55<br>1.400 | 55.20<br>2.173 | 23.00<br>.906 |
| 22         | 48.20<br>1.898 | 13.72<br>.540 | 26.29<br>1.035 | 39.62<br>1.560 | 3.30<br>.130 | 10.50<br>.413 | 33.30<br>1.311 | 32.00<br>1.260 | 35.55<br>1.400 | 55.20<br>2.173 | 23.00<br>.906 |
| 24         | 48.20<br>1.898 | 13.72<br>.540 | 29.20<br>1.150 | 42.82<br>1.686 | 3.30<br>.130 | 10.50<br>.413 | 33.30<br>1.311 | 35.00<br>1.378 | 35.55<br>1.400 | 55.20<br>2.173 | 23.00<br>.906 |

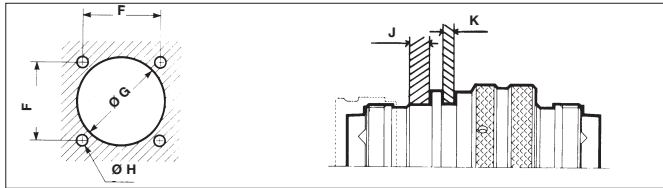
# 8525 Series



## Square flange receptacle type 10

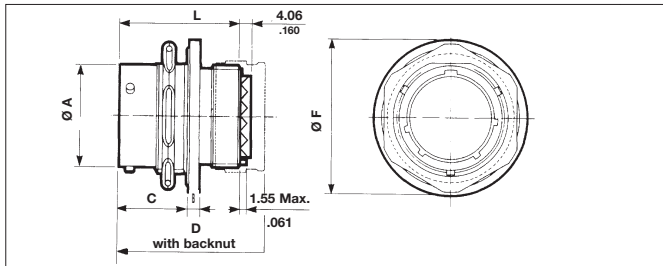


### panel cut-out

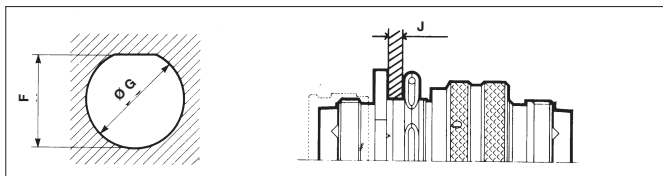


| shell size | A Max          | B Max        | C Max         | D Max          | E Max          | F              | G              | H            | J Max        | K Max        | L Max          |
|------------|----------------|--------------|---------------|----------------|----------------|----------------|----------------|--------------|--------------|--------------|----------------|
| 8          | 12.03<br>.474  | 1.37<br>.054 | 11.70<br>.461 | 29.80<br>1.173 | 21.00<br>.827  | 15.09<br>.594  | 14.43<br>.568  | 3.05<br>.120 | 3.17<br>.125 | 2.21<br>.087 | 25.50<br>1.004 |
| 10         | 15.01<br>.591  | 1.37<br>.054 | 11.70<br>.461 | 29.80<br>1.173 | 24.25<br>.955  | 18.26<br>.719  | 17.40<br>.685  | 3.05<br>.120 | 3.17<br>.125 | 2.21<br>.087 | 25.50<br>1.004 |
| 12         | 19.07<br>.751  | 1.37<br>.054 | 11.70<br>.461 | 29.80<br>1.173 | 26.55<br>1.045 | 20.62<br>.812  | 21.95<br>.864  | 3.05<br>.120 | 3.17<br>.125 | 2.21<br>.087 | 25.50<br>1.004 |
| 14         | 22.25<br>.876  | 1.37<br>.054 | 11.70<br>.461 | 29.80<br>1.173 | 28.90<br>1.138 | 23.01<br>.906  | 25.12<br>.989  | 3.05<br>.120 | 3.17<br>.125 | 2.21<br>.087 | 25.50<br>1.004 |
| 16         | 25.42<br>1.001 | 1.37<br>.054 | 11.70<br>.461 | 29.80<br>1.173 | 31.30<br>1.232 | 24.61<br>.969  | 28.27<br>1.113 | 3.05<br>.120 | 3.17<br>.125 | 2.21<br>.087 | 25.50<br>1.004 |
| 18         | 28.60<br>1.126 | 1.37<br>.054 | 11.70<br>.461 | 29.80<br>1.173 | 33.70<br>1.327 | 26.97<br>1.062 | 31.45<br>1.238 | 3.05<br>.120 | 3.17<br>.125 | 2.21<br>.087 | 25.50<br>1.004 |
| 20         | 31.77<br>1.251 | 2.20<br>.087 | 14.35<br>.565 | 31.60<br>1.244 | 36.90<br>1.453 | 29.36<br>1.156 | 34.62<br>1.363 | 3.05<br>.120 | 3.17<br>.125 | 5.38<br>.212 | 27.30<br>1.075 |
| 22         | 34.95<br>1.376 | 2.20<br>.087 | 14.35<br>.565 | 31.60<br>1.244 | 40.00<br>1.575 | 31.75<br>1.250 | 37.80<br>1.488 | 3.05<br>.120 | 3.17<br>.125 | 5.38<br>.212 | 27.30<br>1.075 |
| 24         | 38.12<br>1.501 | 2.20<br>.087 | 14.35<br>.565 | 31.60<br>1.244 | 43.30<br>1.705 | 34.92<br>1.375 | 41.02<br>1.615 | 3.73<br>.147 | 3.17<br>.125 | 5.38<br>.212 | 27.30<br>1.075 |

## Jam nut receptacle type 17

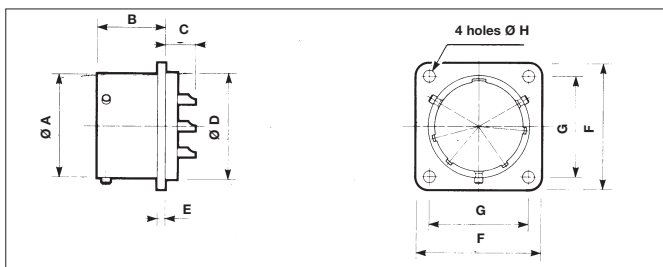


### panel cut-out

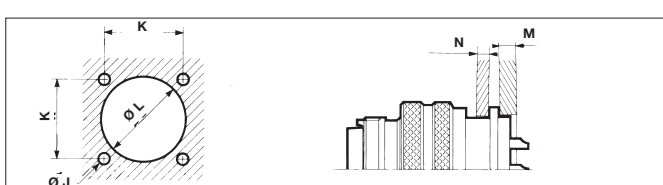


| shell size | A Max          | B            | C             | D Max          | F Max          | G              | H              | J Max        | L Max          |
|------------|----------------|--------------|---------------|----------------|----------------|----------------|----------------|--------------|----------------|
| 8          | 12.03<br>.474  | 2.35<br>.093 | 17.35<br>.683 | 30.30<br>1.193 | 23.30<br>.917  | 14.53<br>.572  | 13.61<br>.536  | 4.75<br>.187 | 25.90<br>1.020 |
| 10         | 15.01<br>.591  | 2.35<br>.093 | 17.35<br>.683 | 30.30<br>1.193 | 26.60<br>1.047 | 17.70<br>.697  | 16.79<br>.661  | 4.75<br>.187 | 25.90<br>1.020 |
| 12         | 19.07<br>.751  | 2.35<br>.093 | 17.35<br>.683 | 30.30<br>1.193 | 31.35<br>1.234 | 22.73<br>.895  | 20.93<br>.824  | 4.75<br>.187 | 25.90<br>1.020 |
| 14         | 22.25<br>.876  | 2.35<br>.093 | 17.35<br>.683 | 30.30<br>1.193 | 34.55<br>1.360 | 25.65<br>1.010 | 24.08<br>.948  | 4.75<br>.187 | 25.90<br>1.020 |
| 16         | 25.42<br>1.001 | 2.35<br>.093 | 17.35<br>.683 | 30.30<br>1.193 | 37.70<br>1.484 | 28.83<br>1.135 | 27.23<br>1.072 | 4.75<br>.187 | 25.90<br>1.020 |
| 18         | 28.60<br>1.126 | 2.35<br>.093 | 17.35<br>.683 | 30.30<br>1.193 | 40.90<br>1.610 | 32.00<br>1.260 | 30.40<br>1.197 | 4.75<br>.187 | 25.90<br>1.020 |
| 20         | 31.77<br>1.251 | 2.55<br>.100 | 18.95<br>.746 | 32.00<br>1.260 | 45.65<br>1.797 | 35.18<br>1.385 | 33.58<br>1.322 | 6.35<br>.250 | 27.50<br>1.083 |
| 22         | 34.95<br>1.376 | 2.55<br>.100 | 18.95<br>.746 | 32.00<br>1.260 | 48.85<br>1.923 | 38.35<br>1.510 | 36.75<br>1.447 | 6.35<br>.250 | 27.50<br>1.083 |
| 24         | 38.12<br>1.501 | 2.55<br>.100 | 19.00<br>.748 | 32.00<br>1.260 | 52.00<br>2.047 | 41.53<br>1.635 | 39.93<br>1.572 | 5.55<br>.219 | 27.50<br>1.083 |

## Square flange hermetic receptacle type 02 H



### panel cut-out

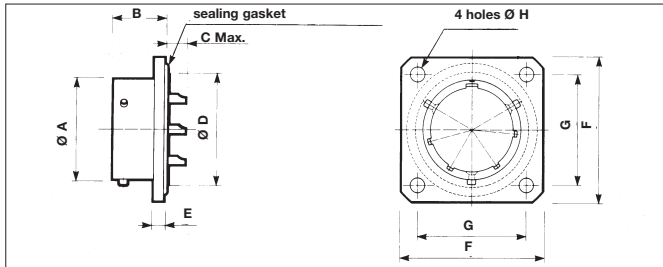


| shell size | A Max          | B Max         | C #20        | C #12-#16    | D Max          | E Max        | F Max          | G              | H            | J            | K              | L              | M            | N Max        |
|------------|----------------|---------------|--------------|--------------|----------------|--------------|----------------|----------------|--------------|--------------|----------------|----------------|--------------|--------------|
| 8          | 12.02<br>.473  | 12.78<br>.503 | 6.50<br>.256 | -            | 14.27<br>.562  | 1.97<br>.078 | 21.02<br>.828  | 15.09<br>.594  | 3.10<br>.122 | 3.10<br>.122 | 15.10<br>.594  | 14.70<br>.579  | 3.50<br>.138 | 2.30<br>.091 |
| 10         | 14.99<br>.590  | 12.78<br>.503 | 6.50<br>.256 | -            | 17.06<br>.672  | 1.97<br>.078 | 24.22<br>.954  | 18.26<br>.719  | 3.10<br>.122 | 3.10<br>.122 | 18.25<br>.719  | 17.50<br>.689  | 3.50<br>.138 | 2.30<br>.091 |
| 12         | 19.05<br>.750  | 12.78<br>.503 | 6.50<br>.256 | 7.75<br>.305 | 19.83<br>.781  | 1.97<br>.078 | 26.58<br>1.046 | 20.62<br>.812  | 3.10<br>.122 | 3.10<br>.122 | 20.60<br>.811  | 20.20<br>.795  | 3.50<br>.138 | 2.30<br>.091 |
| 14         | 22.23<br>.875  | 12.78<br>.503 | 6.50<br>.256 | 7.75<br>.305 | 23.01<br>.906  | 1.97<br>.078 | 28.96<br>1.140 | 23.01<br>.906  | 3.10<br>.122 | 3.10<br>.122 | 23.00<br>.906  | 23.40<br>.921  | 3.50<br>.138 | 2.30<br>.091 |
| 16         | 25.40<br>1.000 | 12.78<br>.503 | 6.50<br>.256 | 7.75<br>.305 | 26.18<br>1.031 | 1.97<br>.078 | 31.33<br>1.233 | 24.61<br>.969  | 3.10<br>.122 | 3.10<br>.122 | 24.60<br>.969  | 26.60<br>1.047 | 3.50<br>.138 | 2.30<br>.091 |
| 18         | 28.58<br>1.125 | 12.78<br>.503 | 6.50<br>.256 | 7.75<br>.305 | 29.36<br>1.156 | 1.97<br>.078 | 33.72<br>1.328 | 26.97<br>1.062 | 3.10<br>.122 | 3.10<br>.122 | 27.00<br>1.063 | 29.80<br>1.173 | 3.50<br>.138 | 2.30<br>.091 |
| 20         | 31.75<br>1.250 | 14.82<br>.583 | 6.10<br>.240 | 7.30<br>.287 | 31.74<br>1.250 | 2.38<br>.094 | 36.90<br>1.453 | 29.37<br>1.156 | 3.10<br>.122 | 3.10<br>.122 | 29.40<br>1.157 | 32.20<br>1.268 | 3.50<br>.138 | 5.40<br>.213 |
| 22         | 34.93<br>1.375 | 14.82<br>.583 | 6.10<br>.240 | 7.30<br>.287 | 34.92<br>1.375 | 2.38<br>.094 | 40.07<br>1.578 | 31.75<br>1.250 | 3.10<br>.122 | 3.10<br>.122 | 31.75<br>1.250 | 35.30<br>1.390 | 3.50<br>.138 | 5.40<br>.213 |
| 24         | 38.10<br>1.500 | 15.62<br>.615 | 5.40<br>.209 | 6.50<br>.256 | 38.09<br>1.500 | 2.38<br>.094 | 43.26<br>1.703 | 34.92<br>1.375 | 3.75<br>.148 | 3.80<br>.150 | 34.90<br>1.374 | 38.40<br>1.512 | 3.50<br>.138 | 5.40<br>.213 |

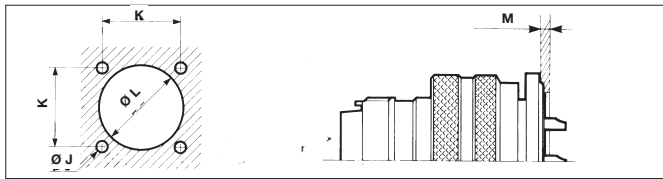
# 8525 Series



## Square flange hermetic receptacle type 02 H specif. 002

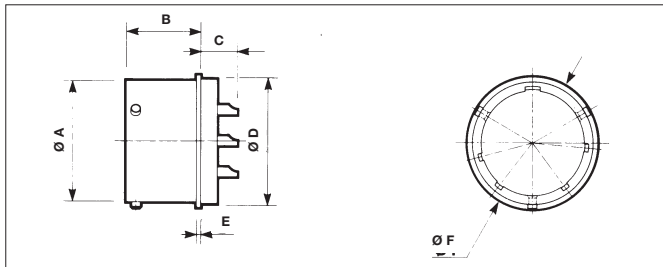


panel cut-out

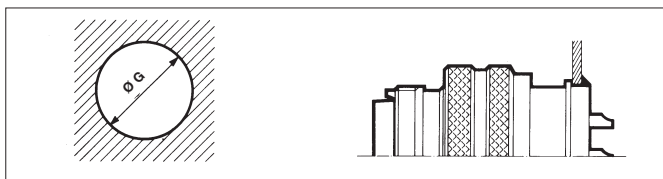


| shell size | A              | B             | C            |              | D              | E            | F              | G              | H            | J            | K              | L              | M            |
|------------|----------------|---------------|--------------|--------------|----------------|--------------|----------------|----------------|--------------|--------------|----------------|----------------|--------------|
|            | Max            | Max           | #20          | #12-#16      | Max            | Max          | Max            |                |              |              |                |                |              |
| 8          | 12.02<br>.473  | 13.56<br>.534 | 5.75<br>.226 | -<br>-       | 14.27<br>.562  | 2.75<br>.108 | 26.40<br>1.039 | 18.10<br>.713  | 3.80<br>.150 | 3.80<br>.150 | 18.10<br>.713  | 14.70<br>.579  | 3.50<br>.138 |
| 10         | 14.99<br>.590  | 13.56<br>.534 | 5.75<br>.226 | -<br>-       | 17.06<br>.672  | 2.75<br>.108 | 28.90<br>1.138 | 20.62<br>.812  | 3.80<br>.150 | 3.80<br>.150 | 20.62<br>.812  | 17.50<br>.689  | 3.50<br>.138 |
| 12         | 19.05<br>.750  | 13.56<br>.534 | 5.75<br>.226 | 7.00<br>.276 | 19.83<br>.781  | 2.75<br>.108 | 32.10<br>1.264 | 23.82<br>.938  | 3.80<br>.150 | 3.80<br>.150 | 23.82<br>.938  | 20.20<br>.795  | 3.50<br>.138 |
| 14         | 22.23<br>1.125 | 13.56<br>.534 | 5.75<br>.226 | 7.00<br>.276 | 23.01<br>.906  | 2.75<br>.108 | 34.50<br>1.449 | 26.18<br>1.125 | 3.80<br>.150 | 3.80<br>.150 | 26.18<br>1.125 | 23.40<br>1.047 | 3.50<br>.138 |
| 16         | 25.40<br>1.000 | 13.56<br>.534 | 5.75<br>.226 | 7.00<br>.276 | 26.18<br>1.031 | 2.75<br>.108 | 36.80<br>1.449 | 28.57<br>1.125 | 3.80<br>.150 | 3.80<br>.150 | 28.57<br>1.125 | 26.60<br>1.047 | 3.50<br>.138 |
| 18         | 28.58<br>1.125 | 13.56<br>.534 | 5.75<br>.226 | 7.00<br>.276 | 29.36<br>1.156 | 2.75<br>.108 | 38.80<br>1.528 | 30.55<br>1.203 | 3.80<br>.150 | 3.80<br>.150 | 30.55<br>1.203 | 29.80<br>1.173 | 3.50<br>.138 |
| 20         | 31.75<br>1.250 | 15.99<br>.630 | 4.95<br>.195 | 6.20<br>.244 | 31.74<br>1.250 | 3.55<br>.140 | 42.80<br>1.685 | 32.94<br>1.297 | 3.80<br>.150 | 3.80<br>.150 | 32.94<br>1.297 | 32.20<br>1.268 | 3.50<br>.138 |
| 22         | 34.93<br>1.375 | 15.99<br>.630 | 4.95<br>.195 | 6.20<br>.244 | 34.92<br>1.375 | 3.55<br>.140 | 44.80<br>1.764 | 34.92<br>1.375 | 3.80<br>.150 | 3.80<br>.150 | 34.92<br>1.375 | 35.30<br>1.390 | 3.50<br>.138 |
| 24         | 38.10<br>1.500 | 16.79<br>.661 | 4.15<br>.163 | 5.40<br>.213 | 38.09<br>1.500 | 3.55<br>.140 | 47.90<br>1.886 | 38.10<br>1.500 | 3.80<br>.150 | 3.80<br>.150 | 38.10<br>1.500 | 38.40<br>1.512 | 3.50<br>.138 |

## Solder mounting hermetic receptacle type IH

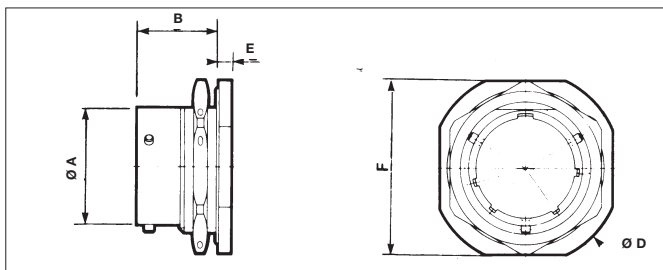


panel cut-out



| shell size | A              | B             | C            |              | D              | E            | F              | G              |
|------------|----------------|---------------|--------------|--------------|----------------|--------------|----------------|----------------|
|            | Max            | Max           | #20          | #12-#16      | Max            | Max          | Max            | Max            |
| 8          | 12.02<br>.473  | 11.71<br>.461 | 7.60<br>.299 | -<br>-       | 14.27<br>.562  | 0.90<br>.035 | 16.12<br>.635  | 14.70<br>.579  |
| 10         | 14.99<br>.590  | 11.71<br>.461 | 7.60<br>.299 | -<br>-       | 17.06<br>.672  | 0.90<br>.035 | 19.30<br>.760  | 17.50<br>.689  |
| 12         | 19.05<br>.750  | 11.71<br>.461 | 7.60<br>.299 | 8.80<br>.346 | 19.83<br>.781  | 0.90<br>.035 | 21.68<br>.854  | 20.20<br>.795  |
| 14         | 22.23<br>.875  | 11.71<br>.461 | 7.60<br>.299 | 8.80<br>.346 | 23.01<br>.906  | 0.90<br>.035 | 24.86<br>.979  | 23.40<br>.921  |
| 16         | 25.40<br>1.000 | 11.71<br>.461 | 7.60<br>.299 | 8.80<br>.346 | 26.18<br>1.031 | 0.90<br>.035 | 28.03<br>1.104 | 26.60<br>1.047 |
| 18         | 28.58<br>1.125 | 11.71<br>.461 | 7.60<br>.299 | 8.80<br>.346 | 29.36<br>1.156 | 0.90<br>.035 | 31.18<br>1.228 | 29.80<br>1.173 |
| 20         | 31.75<br>1.250 | 13.34<br>.525 | 7.55<br>.297 | 8.80<br>.346 | 31.74<br>1.250 | 0.90<br>.035 | 33.57<br>1.322 | 32.10<br>1.264 |
| 22         | 34.92<br>1.375 | 13.34<br>.525 | 7.55<br>.297 | 8.80<br>.346 | 34.92<br>1.375 | 0.90<br>.035 | 36.77<br>1.448 | 35.30<br>1.390 |
| 24         | 38.10<br>1.500 | 14.14<br>.557 | 6.75<br>.266 | 8.00<br>.315 | 38.09<br>1.500 | 0.90<br>.035 | 39.94<br>1.572 | 38.40<br>1.512 |

## Jam nut hermetic receptacle type 07H



panel cut-out



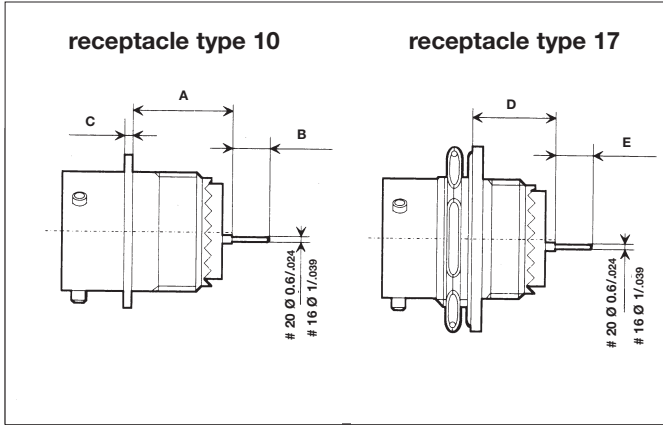
| shell size | A              | B             | D              | E            | F              | G              | H              | J min        | J Max        |
|------------|----------------|---------------|----------------|--------------|----------------|----------------|----------------|--------------|--------------|
|            | Max            | Max           | Max            | Max          | Max            |                |                |              |              |
| 8          | 12.02<br>.473  | 17.70<br>.697 | 27.37<br>1.078 | 2.65<br>.104 | 24.07<br>.948  | 14.60<br>.575  | 13.60<br>.535  | 1.57<br>.062 | 4.75<br>.187 |
| 10         | 14.99<br>.590  | 17.70<br>.697 | 30.57<br>1.204 | 2.65<br>.104 | 27.22<br>1.072 | 17.70<br>.697  | 16.80<br>.661  | 1.57<br>.062 | 4.75<br>.187 |
| 12         | 19.05<br>.750  | 17.70<br>.697 | 35.32<br>1.391 | 2.65<br>.104 | 32.00<br>1.260 | 22.70<br>.894  | 20.90<br>.823  | 1.57<br>.062 | 4.75<br>.187 |
| 14         | 22.23<br>.875  | 17.70<br>.697 | 38.50<br>1.516 | 2.65<br>.104 | 35.17<br>1.385 | 25.70<br>1.012 | 24.10<br>.949  | 1.57<br>.062 | 4.75<br>.187 |
| 16         | 25.40<br>1.000 | 17.70<br>.697 | 41.67<br>1.641 | 2.65<br>.104 | 38.35<br>1.510 | 28.80<br>1.134 | 27.20<br>1.071 | 1.57<br>.062 | 4.75<br>.187 |
| 18         | 28.58<br>1.125 | 17.70<br>.697 | 44.85<br>1.766 | 2.65<br>.104 | 41.52<br>1.635 | 32.00<br>1.260 | 30.40<br>1.197 | 1.57<br>.062 | 4.75<br>.187 |
| 20         | 31.75<br>1.250 | 19.30<br>.760 | 49.62<br>1.954 | 3.40<br>.134 | 46.27<br>1.822 | 35.20<br>1.386 | 33.60<br>1.323 | 1.57<br>.062 | 6.35<br>.250 |
| 22         | 34.93<br>1.375 | 19.30<br>.760 | 52.77<br>2.078 | 3.40<br>.134 | 49.47<br>1.948 | 38.40<br>1.512 | 36.80<br>1.449 | 1.57<br>.062 | 6.35<br>.250 |
| 24         | 38.10<br>1.500 | 19.30<br>.760 | 55.97<br>2.204 | 3.40<br>.134 | 52.62<br>2.072 | 41.50<br>1.634 | 39.90<br>1.571 | 1.57<br>.062 | 5.55<br>.219 |



# 8525 Series



## Receptacle with straight spill contacts



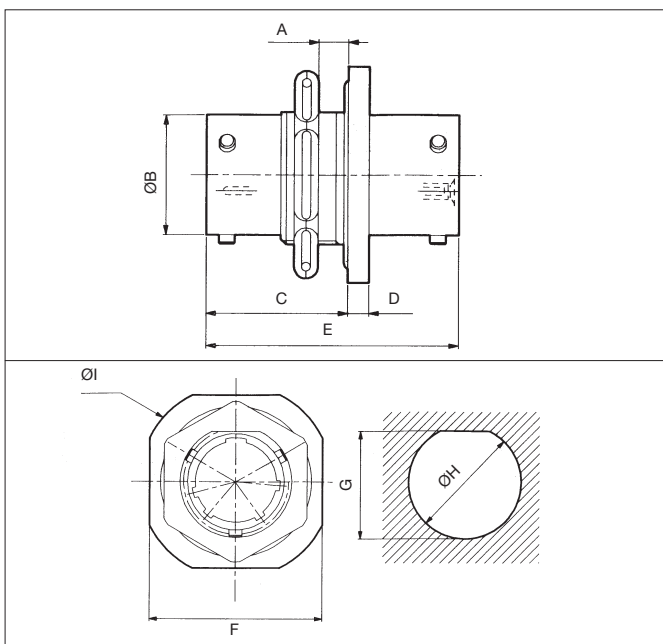
|         | shell size | 8            | 10            | 12            | 14            | 16            | 18            | 20            | 22            | 24            |               |
|---------|------------|--------------|---------------|---------------|---------------|---------------|---------------|---------------|---------------|---------------|---------------|
| TYPE 10 | A          | min          | 16.30<br>.642 | 16.30<br>.642 | 16.30<br>.642 | 16.30<br>.642 | 16.30<br>.642 | 14.40<br>.567 | 14.40<br>.567 | 13.60<br>.535 |               |
|         |            | Max          | 17.50<br>.689 | 17.50<br>.689 | 17.50<br>.689 | 17.50<br>.689 | 15.50<br>.610 | 17.50<br>.689 | 15.70<br>.618 | 15.10<br>.594 |               |
|         | B          | 0/-0.2       | 7.30<br>.287  | 7.30<br>.287  | 7.30<br>.287  | 7.30<br>.287  | 7.30<br>.287  | 7.30<br>.287  | 7.30<br>.287  | 7.30<br>.287  |               |
|         | C          | Max          | 1.37<br>.054  | 1.37<br>.054  | 1.37<br>.054  | 1.37<br>.054  | 1.37<br>.054  | 1.37<br>.054  | 2.20<br>.087  | 2.20<br>.087  | 2.20<br>.087  |
|         |            | Min          | 12.50<br>.492 | 12.50<br>.492 | 12.50<br>.492 | 12.50<br>.492 | 12.50<br>.492 | 12.50<br>.492 | 12.50<br>.492 | 12.50<br>.492 | 12.50<br>.492 |
|         | D          | Max          | 13.40<br>.528 | 13.40<br>.528 | 13.40<br>.528 | 13.40<br>.528 | 13.40<br>.528 | 13.40<br>.528 | 13.40<br>.528 | 13.40<br>.528 | 13.40<br>.528 |
| E       | 0/-0.2     | 7.30<br>.287 | 7.30<br>.287  | 7.30<br>.287  | 7.30<br>.287  | 7.30<br>.287  | 7.30<br>.287  | 7.30<br>.287  | 7.30<br>.287  | 7.30<br>.287  |               |

## Pin / socket hermetic through bulkhead (Specials SHTP)

### Ordering information

|                |                   |             |    |   |
|----------------|-------------------|-------------|----|---|
| basic series   | SN 845            | - * * - * * | PS | * |
| contact layout | please contact us |             |    |   |
| contact type   | male / female     |             |    |   |
| polarization   | please contact us |             |    |   |

### Dimensions



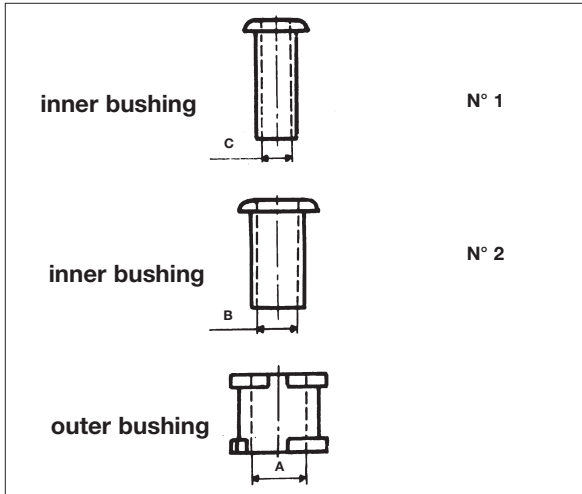
| shell size | A Max        | B              | C             | D            | E              | F              | G              | H              | I              |
|------------|--------------|----------------|---------------|--------------|----------------|----------------|----------------|----------------|----------------|
| 8          | 4.75<br>.187 | 12.02<br>.473  | 17.70<br>.697 | 2.60<br>.102 | 31.40<br>1.236 | 23.82<br>.938  | 13.60<br>.535  | 14.60<br>.575  | 26.97<br>1.062 |
| 10         | 4.75<br>.187 | 14.99<br>.590  | 17.70<br>.697 | 2.60<br>.102 | 31.40<br>1.236 | 26.97<br>1.062 | 16.80<br>.661  | 17.70<br>.697  | 30.17<br>1.188 |
| 12         | 4.75<br>.187 | 19.05<br>.750  | 17.70<br>.697 | 2.60<br>.102 | 31.40<br>1.236 | 31.75<br>1.250 | 20.90<br>.823  | 22.70<br>.894  | 34.92<br>1.375 |
| 14         | 4.75<br>.187 | 22.23<br>.875  | 17.70<br>.697 | 2.60<br>.102 | 31.40<br>1.236 | 34.92<br>1.375 | 24.10<br>.949  | 25.70<br>1.012 | 38.10<br>1.500 |
| 16         | 4.75<br>.187 | 25.40<br>1.000 | 17.70<br>.697 | 2.60<br>.102 | 31.40<br>1.236 | 38.10<br>1.500 | 27.20<br>1.071 | 28.80<br>1.134 | 41.27<br>1.625 |
| 18         | 4.75<br>.187 | 28.58<br>1.125 | 17.70<br>.697 | 2.60<br>.102 | 31.40<br>1.236 | 41.27<br>1.625 | 30.40<br>1.197 | 32.00<br>1.260 | 44.45<br>1.750 |
| 20         | 6.35<br>.250 | 31.75<br>1.250 | 19.30<br>.760 | 3.40<br>.134 | 34.60<br>1.362 | 46.02<br>1.812 | 33.60<br>1.323 | 35.20<br>1.386 | 49.22<br>1.938 |
| 22         | 6.35<br>.250 | 34.93<br>1.375 | 19.30<br>.760 | 3.40<br>.134 | 34.60<br>1.362 | 49.22<br>1.938 | 36.80<br>1.449 | 38.40<br>1.512 | 52.37<br>2.062 |
| 24         | 5.55<br>.219 | 38.10<br>1.500 | 19.30<br>.760 | 3.40<br>.134 | 34.60<br>1.362 | 52.37<br>2.062 | 39.90<br>1.571 | 41.50<br>1.634 | 55.57<br>2.188 |

# 8525 Series



## Accessories

### Backshell bushings



### part numbers

| shell size | outer bushings | inner bushings N°1 | inner bushings N°2 | A             | B             | C             |
|------------|----------------|--------------------|--------------------|---------------|---------------|---------------|
| 8          | 8525-866 A     | -                  | -                  | 3.00<br>.118  | -             | -             |
| 10         | 8525-867 A     | -                  | -                  | 4.00<br>.157  | -             | -             |
| 12         | 8525-868 A     | 8525-860 A         | -                  | 7.92<br>.312  | 5.58<br>.220  | -             |
| 14         | 8525-869 A     | 8525-861 A         | -                  | 11.09<br>.437 | 7.92<br>.312  | -             |
| 16         | 8525-870 A     | 8525-861 A         | -                  | 11.09<br>.437 | 7.92<br>.312  | -             |
| 18         | 8525-871 A     | 8525-862 A         | 8525-861 A         | 14.27<br>.562 | 11.09<br>.437 | 7.92<br>.312  |
| 20         | 8525-872 A     | 8525-863 A         | 8525-862 A         | 15.87<br>.625 | 14.27<br>.562 | 11.09<br>.437 |
| 22         | 8525-873 A     | 8525-864 A         | 8525-863 A         | 19.04<br>.750 | 15.87<br>.625 | 14.27<br>.562 |
| 24         | 8525-874 A     | 8525-865 A         | 8525-864 A         | 23.79<br>.937 | 19.04<br>.750 | 15.87<br>.625 |

## Gaskets

| shell size | gaskets for square flange receptacle types 10 and 02 H (ordered separately) | part numbers                           |   |   |
|------------|---|--|---|---|
|            |   | O-rings for jam nut receptacle type 17 | O-rings for square flange receptacle type 07 H (spare O-ring) | O-rings for square flange receptacle type 02 H suffix. 002 (spare O-ring) |
| 8          | 8525-1431   | MS9068-016                             | 70617 A   | 70617 A   |
| 10         | 8525-1432   | MS9068-018                             | 70618 A   | 70618 A   |
| 12         | 8525-1433   | MS9068-021                             | 70619 A   | 70619 A   |
| 14         | 8525-1434   | MS9068-023                             | 70620 A   | 70620 A   |
| 16         | 8525-1435   | MS9068-025                             | 70621 A   | 70621 A   |
| 18         | 8525-1436   | MS9068-027                             | 70622 A   | 70622 A   |
| 20         | 8525-1437   | MS9068-029                             | 70623 A   | 70709 A   |
| 22         | 8525-1438   | MS9068-030                             | 70624 A   | 70623 A   |
| 24         | 8525-1439   | MS9068-031                             | 70625 A   | 70624 A   |

## Reusable fixing plate

Two, three or four-holes self-locking fixing-plates are available at SHTP see page 126.

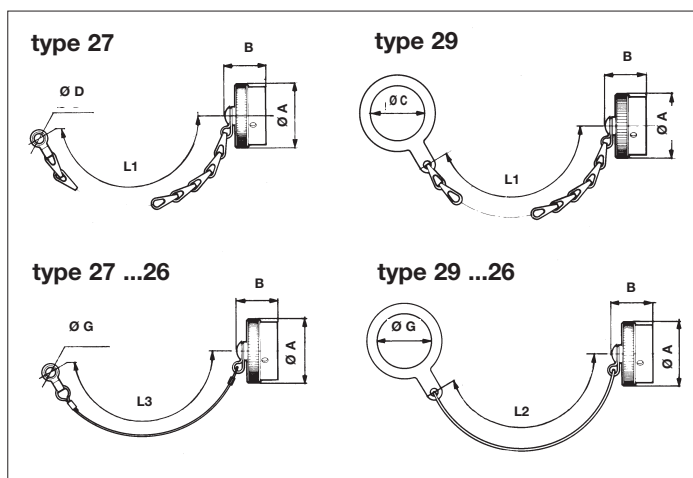
# 8525 Series



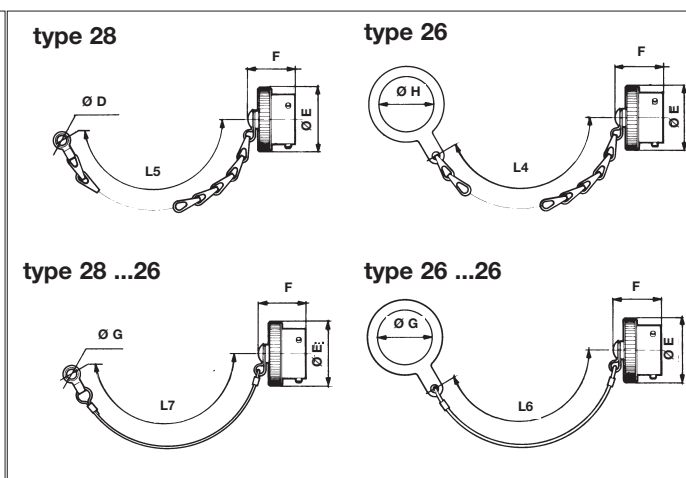
## Caps

|               |   |
|---------------|---|
| basic series  | 852 - 28 R 18 ••  |
| cap type      | 26 - cap for plug (fixing on plug)<br>27 - cap for square flange receptacle<br>28 - cap for plug (fixing on backshell)<br>29 - cap for jam nut receptacle |
| plating       | R - black anodized<br>N - nickel<br>J - yellow cadmium  |
| shell size    | 08-10-12-14-16-18-20-22-24  |
| specification | — - metal chain, leave blank<br>26 - nylon cord   |

### caps for receptacle



### caps for plug



| shell size | A Max          | B Max         | C Max          | D            | E Max          | F Max         | G            | H Max          | L1              | L2              | L3              | L4              | L5              | L6              | L7              |
|------------|----------------|---------------|----------------|--------------|----------------|---------------|--------------|----------------|-----------------|-----------------|-----------------|-----------------|-----------------|-----------------|-----------------|
| 8          | 19.00<br>.748  | 21.50<br>.846 | 14.80<br>.583  | 3.50<br>.138 | 16.80<br>.661  | 19.90<br>.783 | 3.50<br>.138 | 14.80<br>.583  | 84.00<br>3.307  | 80.00<br>3.150  | 128.00<br>5.039 | 84.00<br>3.307  | 132.00<br>5.197 | 80.00<br>3.150  | 128.00<br>5.039 |
| 10         | 21.80<br>.858  | 21.50<br>.846 | 18.00<br>.709  | 3.50<br>.138 | 19.80<br>.780  | 19.90<br>.783 | 3.50<br>.138 | 17.90<br>.705  | 84.00<br>3.307  | 80.00<br>3.150  | 128.00<br>5.039 | 84.00<br>3.307  | 132.00<br>5.197 | 80.00<br>3.150  | 128.00<br>5.039 |
| 12         | 26.10<br>1.028 | 21.50<br>.846 | 22.70<br>.894  | 3.50<br>.138 | 23.90<br>.941  | 19.90<br>.783 | 3.50<br>.138 | 22.70<br>.894  | 100.00<br>3.937 | 90.00<br>3.543  | 140.00<br>5.512 | 100.00<br>3.937 | 148.00<br>5.827 | 90.00<br>3.543  | 140.00<br>5.512 |
| 14         | 29.30<br>1.154 | 21.50<br>.846 | 25.90<br>1.020 | 3.50<br>.138 | 27.00<br>1.063 | 19.90<br>.783 | 3.50<br>.138 | 25.90<br>1.020 | 100.00<br>3.937 | 90.00<br>3.543  | 140.00<br>5.512 | 100.00<br>3.937 | 148.00<br>5.827 | 90.00<br>3.543  | 140.00<br>5.512 |
| 16         | 32.50<br>1.280 | 21.50<br>.846 | 29.00<br>1.142 | 3.50<br>.138 | 30.20<br>1.189 | 19.90<br>.783 | 3.50<br>.138 | 29.00<br>1.142 | 100.00<br>3.937 | 90.00<br>3.543  | 140.00<br>5.512 | 100.00<br>3.937 | 148.00<br>5.827 | 90.00<br>3.543  | 140.00<br>5.512 |
| 18         | 35.30<br>1.390 | 21.50<br>.846 | 32.20<br>1.268 | 3.50<br>.138 | 33.40<br>1.315 | 19.90<br>.783 | 3.50<br>.138 | 32.20<br>1.268 | 100.00<br>3.937 | 90.00<br>3.543  | 140.00<br>5.512 | 100.00<br>3.937 | 148.00<br>5.827 | 90.00<br>3.543  | 140.00<br>5.512 |
| 20         | 38.80<br>1.528 | 21.50<br>.846 | 35.40<br>1.394 | 3.50<br>.138 | 36.50<br>1.437 | 21.50<br>.846 | 3.50<br>.138 | 35.40<br>1.394 | 116.00<br>4.567 | 110.00<br>4.331 | 153.00<br>6.024 | 116.00<br>4.567 | 116.00<br>4.567 | 110.00<br>4.331 | 153.00<br>6.024 |
| 22         | 42.00<br>1.654 | 21.50<br>.846 | 38.60<br>1.520 | 3.50<br>.138 | 39.80<br>1.567 | 21.50<br>.846 | 3.50<br>.138 | 38.60<br>1.520 | 116.00<br>4.567 | 110.00<br>4.331 | 153.00<br>6.024 | 116.00<br>4.567 | 116.00<br>4.567 | 110.00<br>4.331 | 153.00<br>6.024 |
| 24         | 45.10<br>1.776 | 22.30<br>.878 | 41.70<br>1.642 | 3.50<br>.138 | 42.90<br>1.689 | 22.30<br>.878 | 3.50<br>.138 | 41.70<br>1.642 | 116.00<br>4.567 | 110.00<br>4.331 | 153.00<br>6.024 | 116.00<br>4.567 | 116.00<br>4.567 | 110.00<br>4.331 | 153.00<br>6.024 |





# 8526 Series

## Hermetic connectors

|                       |  |          |          |             |          |          |
|-----------------------|--|----------|----------|-------------|----------|----------|
| <b>basic series</b>   | <b>8526</b>  | <b>2</b> | <b>H</b> | <b>1006</b> | <b>P</b> | <b>N</b> |
| <b>shell type</b>     | <ul style="list-style-type: none"> <li>1 - solder fixing receptacle</li> <li>2 - square flange receptacle</li> <li>7 - jam nut receptacle</li> </ul> |          |          |             |          |          |
| <b>plating</b>        | H - tin over nickel  |          |          |             |          |          |
| <b>contact layout</b> | - see table p 50   |          |          |             |          |          |
| <b>contact type</b>   | P - male contact only  |          |          |             |          |          |
| <b>orientation</b>    | <ul style="list-style-type: none"> <li>N - normal</li> <li>W, X, Y, Z - see table p 51</li> </ul>  |          |          |             |          |          |

## Backshells

|                       |  |          |           |          |           |
|-----------------------|--|----------|-----------|----------|-----------|
| <b>basic series</b>   | <b>852</b>   | <b>-</b> | <b>01</b> | <b>G</b> | <b>10</b> |
| <b>backshell type</b> | <ul style="list-style-type: none"> <li>01 - backnut</li> <li>02 - straight cable clamp</li> <li>03 - elbow cable clamp</li> <li>17 - backshell for heatshrink sleeving</li> <li>32 - backshell for shield termination and heatshrink sleeving</li> </ul> |          |           |          |           |
| <b>plating</b>        | <ul style="list-style-type: none"> <li>G - olive green cadmium</li> <li>N - nickel</li> </ul>  |          |           |          |           |
| <b>shell size</b>     | 08-10-12-14-16-18-20-22-24   |          |           |          |           |

## Caps

|                      |  |           |          |           |           |
|----------------------|--|-----------|----------|-----------|-----------|
| <b>basic series</b>  | <b>852</b>   | <b>27</b> | <b>G</b> | <b>10</b> | <b>••</b> |
| <b>caps type</b>     | <ul style="list-style-type: none"> <li>26 - cap for plug</li> <li>27 - cap for square flange receptacle</li> <li>28 - cap for plug</li> <li>29 - cap for jam nut receptacle</li> </ul> |           |          |           |           |
| <b>plating</b>       | <ul style="list-style-type: none"> <li>G - olive green cadmium</li> <li>N - nickel</li> </ul>  |           |          |           |           |
| <b>shell size</b>    | 08-10-12-14-16-18-20-22-24   |           |          |           |           |
| <b>specification</b> | <ul style="list-style-type: none"> <li>- metallic chain : without digit</li> <li>26 - nylon cord</li> </ul>  |           |          |           |           |

# 8526 Series



## Cross reference list

| Souriau                        | NFC 93422 HE 312                         | Designation   |
|--------------------------------|--|---|
| 8526-00 G .. B .. P □<br>S     | HE 312 0E .... P □ 7<br>S                | square flange receptacle olive green plating                                    |
| 8526-00 N .. B .. P □<br>S     | HE 312 0E .... P □ 6<br>S                | square flange receptacle nickel plating   |
| 8526-07 G .. B .. P □<br>S     | HE 312 7E .... P □ 7<br>S                | jam nut receptacle olive green plating  |
| 8526-07 N .. B .. P □<br>S     | HE 312 7E .... P □ 6<br>S                | jam nut receptacle nickel plating   |
| 8526-16 G .. B .. P □<br>S     | HE 312 6E .... P □ 7<br>S                | plug olive green plating  |
| 8526-16 N .. B .. P □<br>S     | HE 312 6E .... P □ 6<br>S                | plug nickel plating   |
| 8526-36 G .. B .. P □<br>S     | HE 312 5E .... P □ 7<br>S                | RFI shielded plug olive green plating   |
| 8526-36 N .. B .. P □<br>S     | HE 312 5E .... P □ 6<br>S                | RFI shielded plug nickel plating  |
| 8526-1H .... P □               | HE 312 1H .... P □ 2                     | solder flange receptacle  |
| 8526-2H .... P □               | HE 312 2H .... P □ 2                     | square flange receptacle  |
| 8526-7H .... P □               | HE 312 7H .... P □ 2                     | jam nut receptacle  |
| 852 - 01 G ..<br>852 - 01 N .. | HE 312 01 - .. - 7<br>HE 312 01 - .. - 6 | backnut olive green plating<br>backnut nickel plating                           |
| 852 - 02 G ..<br>852 - 02 N .. | HE 312 02 - .. - 7<br>HE 312 02 - .. - 6 | straight cable clamp olive green plating<br>straight cable clamp nickel plating |
| 852 - 03 G ..<br>852 - 03 N .. | HE 312 03 - .. - 7<br>HE 312 03 - .. - 6 | elbow cable clamp olive green plating<br>elbow cable clamp nickel plating       |
| 852 - 32 G ..                  | HE 312 06 - .. - 7                       | backshell for screen termination<br>and heatshrink sleeving olive green plating |
| 852 - 32 N ..                  | HE 312 06 - .. - 6                       | backshell for screen termination<br>and heatshrink sleeving nickel plating      |
| 852 - 26 G ..                  | HE 312 B06 - .. - 7                      | cap for plug olive green plating,<br>metallic chain, ring                       |
| 852 - 26 N ..                  | HE 312 B06 - .. - 6                      | cap for plug nickel plating, metallic chain, ring                               |
| 852 - 27 G ..                  | HE 312 B00 - .. - 7                      | cap for receptacle olive green cadmium,<br>metallic chain, eyelet               |
| 852 - 27 N ..                  | HE 312 B00 - .. - 6                      | cap for receptacle nickel plating<br>metallic chain, eyelet                     |
| 852 - 28 G ..                  | HE 312 B16 - .. - 7                      | cap for plug olive green cadmium,<br>metallic chain, eyelet                     |
| 852 - 28 N ..                  | HE 312 B16 - .. - 6                      | cap for plug nickel plating,<br>metallic chain, eyelet                          |
| 852 - 29 G ..                  | HE 312 B07 - .. - 7                      | cap for receptacle olive green cadmium,<br>metallic chain, ring                 |
| 852 - 29 N ..                  | HE 312 B07 - .. - 6                      | cap for receptacle nickel plating<br>metallic chain, ring                       |
| 8522 - 20                      | NF L 54•131 - 20                         | plastic tool for size 20 contacts   |
| 8522 - 16                      | NF L 54•131 - 16                         | plastic tool for size 16 contacts   |
| 8522 - 12                      | NF L 54•131 - 12                         | plastic tool for size 12 conta  |



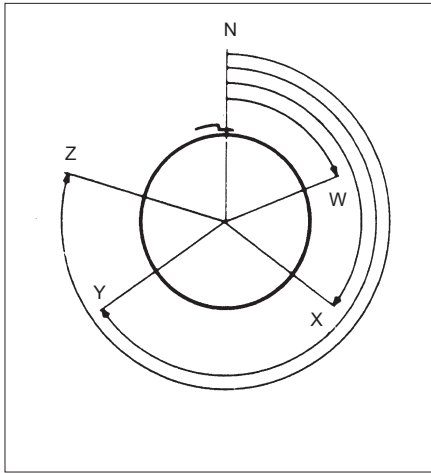
# 8526 Series

## Contact layouts viewed from front face of male insulator

| shells                     |                  |                   |                   |                   |                   |                   |                   |                     |
|----------------------------|------------------|-------------------|-------------------|-------------------|-------------------|-------------------|-------------------|---------------------|
| 08                         | 10               | 12                | 14                | 16                | 18                | 20                | 22                | 24                  |
| 8 B 3A<br>8 B 98<br>*08 3A | 10 B 6<br>*10 06 | 12 B 10<br>*12 10 | 14 B 19<br>*14 19 | 16 B 26<br>*16 26 | 18 B 32<br>*18 32 | 20 B 41<br>*20 41 | 22 B 55<br>*22 55 | 24 B 61<br>*24 61   |
|                            |                  |                   |                   |                   |                   |                   |                   |                     |
| 3Ø1                        | 6Ø1              | 10Ø1              | 19Ø1              | 26Ø1              | 32Ø1              | 41Ø1              | 55Ø1              | 61Ø1                |
| 8 B 33<br>*08 33           | SN 0394          | 12 B 3<br>*12 03  | 14 B 15<br>*14 15 | 16 B 8<br>*16 08  | 18 B 11           | 20 B 39<br>*20 39 | 22 B 41<br>*22 41 | 24 B 31             |
|                            |                  |                   |                   |                   |                   |                   |                   |                     |
| 3Ø1                        | 1 coax           | 3Ø1.6             | 14Ø1<br>1Ø1.6     | 8Ø1.6             | 11Ø1.6            | 37Ø1<br>2Ø1.6     | 27Ø1<br>14Ø1.6    | 31Ø1.6              |
|                            |                  | 12 B 8            | 14 B 12<br>*14 12 | 16 B 23           | 18 B 8<br>*18 8   | 20 B 16<br>*20 16 | 22 B 21<br>*22 21 | 24 B 19             |
|                            |                  |                   |                   |                   |                   |                   |                   |                     |
|                            |                  | 8Ø1               | 8Ø1<br>4Ø1.6      | 22Ø1<br>1Ø1.6     | 8Ø2.4             | 16Ø1.6            | 21Ø1.6            | 19Ø2.4              |
|                            |                  | 14 B 5<br>*14 05  |                   |                   | SN 0468           |                   | 22 B 12           | SN 1229             |
|                            |                  |                   |                   |                   |                   |                   |                   |                     |
|                            |                  |                   | 8Ø1<br>5Ø1.6      |                   | 2Ø2.04<br>2Ø1     |                   | 12Ø2.4            | 52Ø1<br>2 coax # 12 |
|                            |                  | 14 B 4<br>*14 4   |                   |                   |                   |                   |                   | SN 0797             |
|                            |                  |                   |                   |                   |                   |                   |                   |                     |
|                            |                  |                   | 4Ø2.4             |                   |                   |                   |                   | 58Ø1<br>1 Coax 50 Ω |

\* hermetic receptacle available  
 Specials SHTP

# 8526 Series



| shell size | layouts | service I<br>1500 Vrms | service II<br>2300 Vrms | number of contacts |         |         | angles in degrees |     |     |     |     |
|------------|---------|------------------------|-------------------------|--------------------|---------|---------|-------------------|-----|-----|-----|-----|
|            |         |                        |                         | size 20            | size 16 | size 12 | N                 | W   | X   | Y   | Z   |
| 08         | 0 8 3 A | X                      |                         | 3                  |         |         | 0                 | 60  | 210 | -   | -   |
|            | 0 8 3 3 | X                      |                         | 3                  |         |         | 0                 | 90  | -   | -   |     |
|            | 0 8 9 8 | X                      |                         | 3                  |         |         | 0                 | -   | -   | -   |     |
| 10         | 1 0 0 6 | X                      |                         | 6                  |         |         | 0                 | 90  | -   | -   |     |
| 12         | 1 2 1 0 | X                      |                         | 10                 |         |         | 0                 | 60  | 155 | 270 | 295 |
|            | 1 2 0 3 |                        | X                       |                    | 3       |         | 0                 | -   | -   | 180 | -   |
|            | 1 2 8   | X                      |                         | 8                  |         |         | 0                 | 90  | 112 | 203 | 292 |
| 14         | 1 4 1 9 | X                      |                         | 19                 |         |         | 0                 | 30  | 165 | 315 | -   |
|            | 1 4 1 5 | X                      |                         | 14                 |         |         | 0                 | 17  | 110 | 155 | 234 |
|            | 1 4 1 2 | X                      |                         | 8                  | 1       |         | 0                 | 43  | 90  | -   | -   |
|            | 1 4 0 5 |                        | X                       |                    | 4       |         | 0                 | 40  | 92  | 184 | 273 |
|            | 1 4 0 4 | X                      |                         |                    | 5       |         | 0                 | 45  | -   | -   | -   |
| 16         | 1 6 2 6 | X                      |                         | 26                 |         |         | 0                 | 60  | -   | 275 | 338 |
|            | 1 6 0 8 |                        | X                       |                    | 8       |         | 0                 | 54  | 152 | 180 | 331 |
|            | 1 6 2 3 | X                      |                         | 22                 | 1       |         | 0                 | 158 | 270 | -   | -   |
|            | 1 8 3 2 | X                      |                         | 32                 |         |         | 0                 | 85  | 138 | 222 | 265 |
| 18         | 1 8 1 1 |                        | X                       |                    | 11      |         | 0                 | 62  | 119 | 241 | 340 |
|            | 1 8 0 8 | X                      |                         |                    |         | 8       | 0                 | 180 | -   | -   | -   |
| 20         | 2 0 4 1 | X                      |                         | 41                 |         |         | 0                 | 45  | 126 | 225 | -   |
|            | 2 0 3 9 | X                      |                         | 37                 | 2       |         | 0                 | 63  | 144 | 252 | 333 |
|            | 2 0 1 6 |                        | X                       |                    | 16      |         | 0                 | 238 | 318 | 333 | 347 |
| 22         | 2 2 5 5 | X                      |                         | 55                 |         |         | 0                 | 30  | 142 | 226 | 314 |
|            | 2 2 4 1 | X                      |                         | 27                 | 14      |         | 0                 | 39  | 135 | 264 | -   |
|            | 2 2 2 1 |                        | X                       |                    | 21      |         | 0                 | 16  | 135 | 175 | 349 |
|            | 2 2 1 2 | X                      |                         |                    |         | 12      | 0                 | -   | -   | -   | -   |
| 24         | 2 4 6 1 | X                      |                         | 61                 |         |         | 0                 | 90  | 180 | 270 | 324 |
|            | 2 4 3 1 | X                      |                         |                    | 31      |         | 0                 | 90  | 225 | 255 | -   |
|            | 2 4 1 9 |                        | X                       |                    |         | 19      | 0                 | 30  | 165 | 315 | -   |

## Contacts

| contact size | # 20 standard | # 20* | # 16 standard | # 16* | # 12 standard |
|--------------|---------------|-------|---------------|-------|---------------|
|--------------|---------------|-------|---------------|-------|---------------|

## Technical characteristics

|                    |        |        |           |           |           |
|--------------------|--------|--------|-----------|-----------|-----------|
| diameter           | 1 mm   | 1 mm   | 1,6 mm    | 1,6 mm    | 2,4 mm    |
| retention force    | 90 N   | 90 N   | 115 N     | 115 N     | 136 N     |
| current rating     | 7,5 A  | 7,5 A  | 13 A      | 13 A      | 23 A      |
| contact resistance | ≤ 1 mΩ | ≤ 1 mΩ | ≤ 0,55 mΩ | ≤ 0,55 mΩ | ≤ 0,35 mΩ |

## Admissible wires

|                             |                              |                              |                              |                              |                              |
|-----------------------------|------------------------------|------------------------------|------------------------------|------------------------------|------------------------------|
| external Ø over insulator   | 0,98 to 2,11 mm              | 0,98 to 2,11 mm              | 1,34 to 2,62 mm              | 1,34 to 2,62 mm              | 2,45 to 4,01 mm              |
| admissible section          | 0,21 to 0,60 mm <sup>2</sup> | 0,21 to 0,93 mm <sup>2</sup> | 0,60 to 1,34 mm <sup>2</sup> | 0,93 to 1,91 mm <sup>2</sup> | 1,91 to 3,18 mm <sup>2</sup> |
| wire gauge                  | 24 to 20                     | 24 to 18                     | 20 to 16                     | 18 to 14                     | 14 to 12                     |
| reducing sleeve for wire of | 0,09 to 0,21 mm <sup>2</sup> | -                            | -                            | -                            | A                            |

## Part numbers

|  |                            |                             |                            |             |                            |
|--|----------------------------|-----------------------------|----------------------------|-------------|----------------------------|
| male contact   | 8526-1348                  | 8522-2349 A                 | 8526-1349                  | 8522-6179 A | 8526-1350                  |
| female contact   | 8526-1344                  | 8520-292                    | 8526-1346 A                | 8522-6180 B | 8526-1347 A                |
| colour code  | brown-brown-black          | red-violet                  | brown-brown-brown          | blue-orange | brown-brown-orange         |
| male contact<br>thermocouples - chromel<br>colour code   | 8522-875<br>yellow (1 dot) | 8522-3761<br>yellow (2 dot) | 8522-881<br>yellow (1 dot) | -           | 8522-887<br>yellow (1 dot) |
| thermocouples - alumel<br>colour code                    | 8522-876<br>black (1 dot)  | 8522-3760<br>black (2 dot)  | 8522-882<br>black (1 dot)  | -           | 8522-888<br>black (1 dot)  |
| female contact<br>thermocouples - chromel<br>colour code | 8522-877<br>yellow (1 dot) | 8522-3770<br>yellow (2 dot) | 8522-883<br>yellow (1 dot) | -           | 8522-889<br>yellow (1 dot) |
| thermocouples - alumel<br>colour code                    | 8522-878<br>black (1 dot)  | 8522-3771<br>black (2 dot)  | 8522-884<br>black (1 dot)  | -           | 8522-890<br>black (1 dot)  |
| reducing sleeve  | 8522-2142                  | -                           | -                          | -           | -                          |

## Minicoax contacts

### minicoax installed instead of size 16 contacts

|                 |                                  |                   |              |
|-----------------|----------------------------------|-------------------|--------------|
| male contacts   | 8526-2-001 A                     | 8526-2-002 A      | 8526-2-003 A |
| female contacts | 8526-1-001 A                     | 8526-1-002 A      | 8526-1-003 A |
| cables accepted | RG-174 U/KX 3 A RG-316 U/KX 22 A | RG-178 BU/KX 21 A | RG 179 BU    |

### minicoax installed instead of size 12 contacts

|                 |               |               |               |               |
|-----------------|---------------|---------------|---------------|---------------|
| male contacts   | 8526-12-2-001 | 8526-12-2-002 | 8526-12-2-003 | 8526-12-2-004 |
| female contacts | 8526-12-1-001 | 8526-12-1-002 | 8526-12-1-003 | 8526-12-1-004 |
| cables accepted | RG 178 BU     | RG 179 BU     | RG 316 U      | RG 180 BU     |

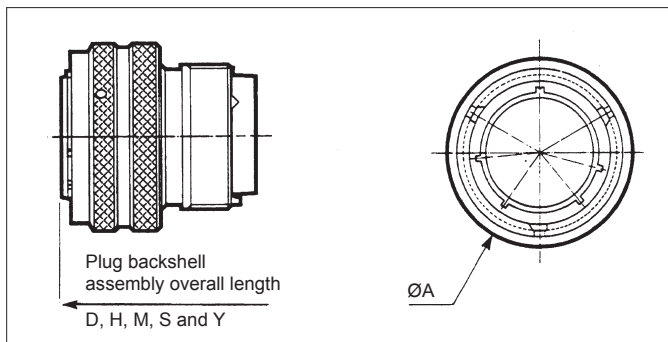




# 8526 Series

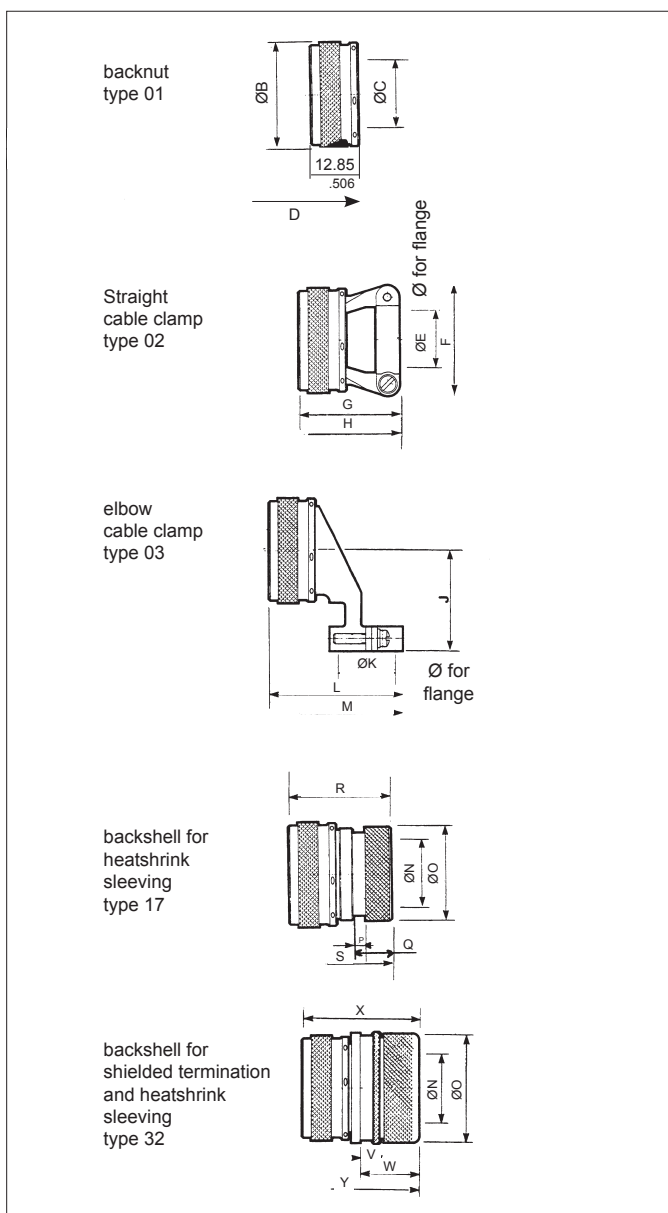
## Dimensions

### 16 and 36 plug type



| shell size | A              | B Max          | C              | D Max         | E min         | E Max          | F Max         | G Max          | H Max         |
|------------|----------------|----------------|----------------|---------------|---------------|----------------|---------------|----------------|---------------|
| 08         | 18.95<br>.746  | 15.65<br>.616  | 6.75<br>.266   | 36.5<br>1.437 | 4<br>.157     | 5.85<br>.230   | 19.1<br>.752  | 22.25<br>.876  | 46.5<br>1.831 |
| 10         | 22.65<br>.892  | 18.6<br>.732   | 9.4<br>.370    | 36.5<br>1.437 | 6.85<br>.270  | 8.7<br>.343    | 20.3<br>.799  | 22.25<br>.876  | 46.5<br>1.831 |
| 12         | 25.75<br>1.014 | 21.75<br>.856  | 12.8<br>.504   | 36.5<br>1.437 | 10.15<br>.856 | 12<br>.504     | 23.5<br>1.437 | 22.25<br>.400  | 46.5<br>.472  |
| 14         | 29.75<br>1.171 | 24.95<br>.982  | 14.75<br>.581  | 36.5<br>1.437 | 11.7<br>.461  | 16.75<br>.659  | 25.5<br>1.004 | 27.45<br>1.081 | 51.8<br>2.039 |
| 16         | 32.95<br>1.297 | 28.2<br>1.110  | 17.93<br>.706  | 36.5<br>1.437 | 15.5<br>.610  | 20.55<br>.809  | 29.5<br>1.161 | 27.45<br>1.081 | 51.8<br>2.039 |
| 18         | 35.35<br>1.392 | 30.9<br>1.217  | 19.94<br>.785  | 36.5<br>1.437 | 17.5<br>.689  | 22.55<br>.888  | 32.3<br>1.272 | 27.45<br>1.081 | 51.8<br>2.039 |
| 20         | 38.75<br>1.526 | 34.15<br>1.344 | 23.11<br>.910  | 36.5<br>1.437 | 20.7<br>.815  | 25.75<br>1.014 | 36<br>1.417   | 27.45<br>1.081 | 51.8<br>2.039 |
| 22         | 41.85<br>1.648 | 37.25<br>1.467 | 26.29<br>1.035 | 36.5<br>1.437 | 23.9<br>.941  | 28.95<br>1.140 | 39<br>1.535   | 27.45<br>1.081 | 51.8<br>2.039 |
| 24         | 45.05<br>1.774 | 40.45<br>1.593 | 29.2<br>1.150  | 36.5<br>1.437 | 27<br>1.063   | 32.05<br>1.262 | 42.7<br>1.681 | 27.45<br>1.081 | 51.8<br>2.039 |

## Backshells



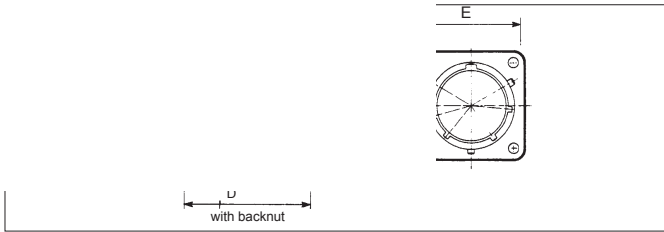
| shell size | J Max         | K min         | K Max          | L Max         | M Max         | N min          | O Max          | P           | Q Max        |
|------------|---------------|---------------|----------------|---------------|---------------|----------------|----------------|-------------|--------------|
| 08         | 20<br>.787    | 4<br>.157     | 5.85<br>.230   | 25<br>.984    | 49.3<br>1.941 | 6.75<br>.266   | 13.5<br>.531   | 3.3<br>.130 | 10.6<br>.417 |
| 10         | 22.2<br>.874  | 6.85<br>.270  | 8.7<br>.343    | 27.9<br>1.098 | 52.2<br>2.055 | 9.4<br>.370    | 15.35<br>.604  | 3.3<br>.130 | 10.6<br>.417 |
| 12         | 24<br>.945    | 10.15<br>.400 | 12<br>.472     | 31.2<br>1.228 | 55.5<br>2.185 | 12.8<br>.504   | 19.65<br>.774  | 3.3<br>.130 | 10.6<br>.417 |
| 14         | 24.5<br>.965  | 11.7<br>.461  | 16.75<br>.659  | 32.8<br>1.291 | 57.1<br>2.248 | 14.75<br>.581  | 21.25<br>.837  | 3.3<br>.130 | 10.6<br>.417 |
| 16         | 27<br>1.063   | 15.5<br>.610  | 20.55<br>.809  | 36.5<br>1.437 | 61<br>2.402   | 17.93<br>.706  | 24.45<br>.963  | 3.3<br>.130 | 10.6<br>.417 |
| 18         | 28.6<br>1.126 | 17.5<br>.689  | 22.55<br>.888  | 38.5<br>1.516 | 63<br>2.480   | 17.93<br>.785  | 24.45<br>1.041 | 3.3<br>.130 | 10.6<br>.417 |
| 20         | 30.1<br>1.185 | 20.7<br>.815  | 25.75<br>1.014 | 41.8<br>1.646 | 66.2<br>2.606 | 23.11<br>.910  | 30.9<br>1.217  | 3.3<br>.130 | 10.6<br>.417 |
| 22         | 31.9<br>1.256 | 23.9<br>.941  | 28.95<br>1.140 | 45<br>1.772   | 69.3<br>2.728 | 26.29<br>1.035 | 34.4<br>1.354  | 3.3<br>.130 | 10.6<br>.417 |
| 24         | 33.4<br>1.315 | 27<br>1.063   | 32.05<br>1.262 | 48<br>1.890   | 72.3<br>2.846 | 29.2<br>1.150  | 36.65<br>1.443 | 3.3<br>.130 | 10.6<br>.417 |

| shell size | R Max          | S Max       | T Max         | U Max         | V           | W Max      | X Max         | Y Max         |
|------------|----------------|-------------|---------------|---------------|-------------|------------|---------------|---------------|
| 08         | 28.55<br>1.124 | 52<br>2.047 | 7.5<br>.295   | 18.2<br>.717  | 3.5<br>.138 | 15<br>.591 | 29<br>1.142   | 53.3<br>2.098 |
| 10         | 28.55<br>1.124 | 52<br>2.047 | 9.7<br>.382   | 19.2<br>.756  | 3.5<br>.138 | 15<br>.591 | 29<br>1.142   | 53.3<br>2.098 |
| 12         | 28.55<br>1.124 | 52<br>2.047 | 13<br>.512    | 24.2<br>.953  | 3.5<br>.138 | 15<br>.591 | 29<br>1.142   | 53.3<br>2.098 |
| 14         | 28.55<br>1.124 | 52<br>2.047 | 15<br>.591    | 27.2<br>1.071 | 3.5<br>.138 | 15<br>.591 | 29<br>1.142   | 53.3<br>2.098 |
| 16         | 28.55<br>1.124 | 52<br>2.047 | 18.3<br>.720  | 30.2<br>1.189 | 3.5<br>.138 | 15<br>.591 | 29<br>1.142   | 53.3<br>2.098 |
| 18         | 28.55<br>1.124 | 52<br>2.047 | 21<br>.827    | 33.2<br>1.307 | 3.5<br>.138 | 15<br>.591 | 29.3<br>1.154 | 53.6<br>2.110 |
| 20         | 28.55<br>1.124 | 52<br>2.047 | 23.5<br>.925  | 36.3<br>1.429 | 3.5<br>.138 | 15<br>.591 | 29.3<br>1.154 | 53.6<br>2.110 |
| 22         | 28.55<br>1.124 | 52<br>2.047 | 26.5<br>1.043 | 39.5<br>1.555 | 3.5<br>.138 | 15<br>.591 | 29.3<br>1.154 | 53.6<br>2.110 |
| 24         | 28.55<br>1.124 | 52<br>2.047 | 30<br>1.181   | 42.6<br>1.677 | 3.5<br>.138 | 15<br>.591 | 29.3<br>1.154 | 53.6<br>2.110 |

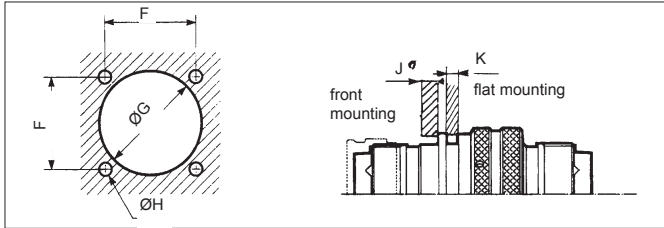
# 8526 Series



## Environmental square flange receptacle - 00 type

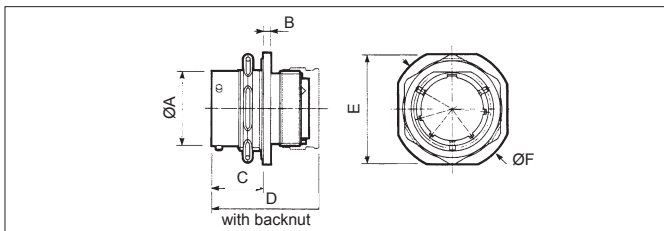


panel cut-out

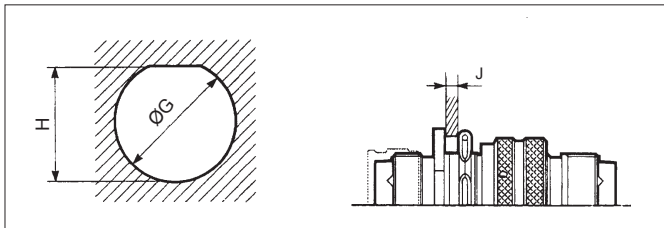


| shell size | A Max          | B Max        | C Max         | D Max         | E Max          | F              | G              | H            | J Max        | K Max        |
|------------|----------------|--------------|---------------|---------------|----------------|----------------|----------------|--------------|--------------|--------------|
| 08         | 12.03<br>.474  | 1.95<br>.077 | 11.7<br>.461  | 36.5<br>1.437 | 21<br>.827     | 15.09<br>.594  | 14.43<br>.568  | 3.05<br>.120 | 3.17<br>.125 | 2.21<br>.087 |
| 10         | 15.01<br>.591  | 1.95<br>.077 | 11.7<br>.461  | 36.5<br>1.437 | 24.2<br>.953   | 18.26<br>.719  | 17.4<br>.685   | 3.05<br>.120 | 3.17<br>.125 | 2.21<br>.087 |
| 12         | 19.07<br>.751  | 1.95<br>.077 | 11.7<br>.461  | 36.5<br>1.437 | 26.55<br>1.045 | 20.62<br>.812  | 21.95<br>.864  | 3.05<br>.120 | 3.17<br>.125 | 2.21<br>.087 |
| 14         | 22.25<br>.876  | 1.95<br>.077 | 11.7<br>.461  | 36.5<br>1.437 | 28.9<br>1.138  | 23.01<br>.906  | 25.12<br>.989  | 3.05<br>.120 | 3.17<br>.125 | 2.21<br>.087 |
| 16         | 25.42<br>1.001 | 1.95<br>.077 | 11.7<br>.461  | 36.5<br>1.437 | 31.3<br>1.232  | 24.61<br>.969  | 28.27<br>1.113 | 3.05<br>.120 | 3.17<br>.125 | 2.21<br>.087 |
| 18         | 28.6<br>1.126  | 1.95<br>.077 | 11.7<br>.461  | 36.5<br>1.437 | 33.7<br>1.327  | 26.97<br>1.062 | 31.45<br>1.238 | 3.05<br>.120 | 3.17<br>.125 | 2.21<br>.087 |
| 20         | 31.77<br>1.251 | 2.75<br>.108 | 14.35<br>.565 | 38.1<br>1.500 | 36.9<br>1.453  | 29.36<br>1.156 | 34.62<br>1.363 | 3.05<br>.120 | 3.17<br>.125 | 5.38<br>.212 |
| 22         | 34.95<br>1.376 | 2.75<br>.108 | 14.35<br>.565 | 38.1<br>1.500 | 40<br>1.575    | 31.75<br>1.250 | 37.8<br>1.488  | 3.05<br>.120 | 3.17<br>.125 | 5.38<br>.212 |
| 24         | 38.12<br>1.501 | 2.75<br>.108 | 15.2<br>.598  | 38.1<br>1.500 | 43.3<br>1.705  | 34.92<br>1.375 | 41.02<br>1.615 | 3.73<br>.147 | 3.17<br>.125 | 5.38<br>.212 |

## Environmental jam nut receptacle - 07 type

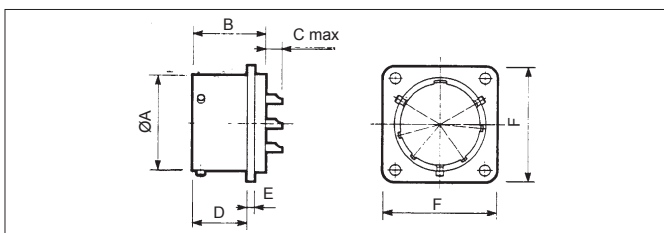


panel cut-out

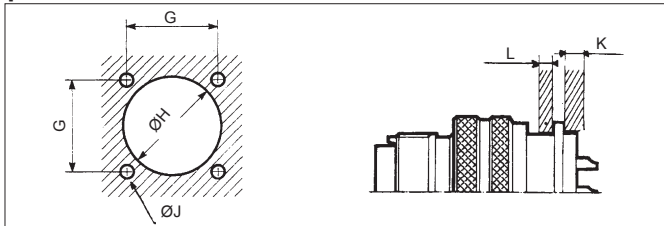


| shell size | A Max          | B Max        | C Max          | D Max         | E Max          | F Max          | G              | H              | J Max        |
|------------|----------------|--------------|----------------|---------------|----------------|----------------|----------------|----------------|--------------|
| 08         | 12.03<br>.474  | 2.51<br>.099 | 17.55<br>.691  | 36.5<br>1.437 | 24.05<br>.947  | 27.2<br>1.071  | 14.53<br>.572  | 13.61<br>.536  | 4.75<br>.187 |
| 10         | 15.01<br>.591  | 2.51<br>.099 | 17.55<br>1.437 | 36.5<br>1.071 | 27.2<br>1.197  | 30.4<br>.697   | 17.7<br>.661   | 16.79<br>.187  | 4.75         |
| 12         | 19.07<br>.751  | 2.51<br>.099 | 17.55<br>.691  | 36.5<br>1.437 | 32<br>1.260    | 35.15<br>1.384 | 22.73<br>.895  | 20.93<br>.824  | 4.75<br>.187 |
| 14         | 22.25<br>.876  | 2.51<br>.099 | 17.55<br>.691  | 36.5<br>1.437 | 35.15<br>1.510 | 38.35<br>1.510 | 25.65<br>1.010 | 24.08<br>.948  | 4.75<br>.187 |
| 16         | 25.42<br>1.001 | 2.51<br>.099 | 17.55<br>.691  | 36.5<br>1.437 | 38.35<br>1.510 | 41.5<br>1.634  | 28.83<br>1.135 | 27.23<br>1.072 | 4.75<br>.187 |
| 18         | 28.6<br>1.126  | 2.51<br>.099 | 17.55<br>.691  | 36.5<br>1.437 | 41.5<br>1.634  | 44.7<br>1.760  | 32<br>1.260    | 30.4<br>1.197  | 4.75<br>.187 |
| 20         | 31.77<br>1.251 | 3.3<br>.130  | 19.15<br>.754  | 38.1<br>1.500 | 46.25<br>1.821 | 49.45<br>1.947 | 35.18<br>1.385 | 33.58<br>1.322 | 6.35<br>.250 |
| 22         | 34.95<br>1.376 | 3.3<br>.130  | 19.15<br>.754  | 38.1<br>1.500 | 49.45<br>1.947 | 52.6<br>2.071  | 38.35<br>1.510 | 36.75<br>1.447 | 6.35<br>.250 |
| 24         | 38.12<br>1.501 | 3.3<br>.130  | 19.15<br>.754  | 38.1<br>1.500 | 52.6<br>2.071  | 55.8<br>2.197  | 41.53<br>1.635 | 39.93<br>1.572 | 5.55<br>.219 |

## Square flange hermetic receptacle - 2H type



panel cut-out

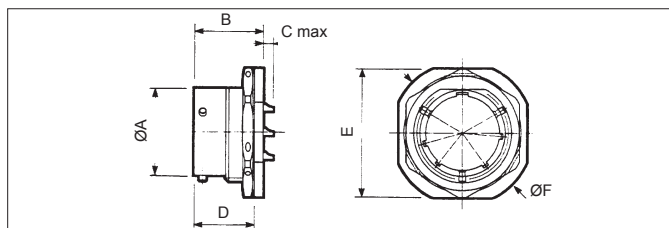


| shell size | A Max          | B Max         | C # 20      | C # 12 # 16  | D Max         | E Max        | F Max          | G              | H              | J            | K Max       | L Max       |
|------------|----------------|---------------|-------------|--------------|---------------|--------------|----------------|----------------|----------------|--------------|-------------|-------------|
| 08         | 12.05<br>.474  | 19.8<br>.780  | 4.5<br>.177 | —<br>###     | 15.05<br>.593 | 1.95<br>.077 | 21<br>.827     | 15.1<br>.594   | 15.55<br>.612  | 3.15<br>.124 | 3.2<br>.126 | 3<br>.118   |
| 10         | 15<br>.591     | 19.8<br>.780  | 4.5<br>.177 | —<br>###     | 15.05<br>.593 | 1.95<br>.077 | 24.2<br>.953   | 18.26<br>.719  | 18.8<br>.740   | 3.15<br>.124 | 3.2<br>.126 | 3<br>.118   |
| 12         | 19.05<br>.750  | 19.8<br>.780  | 4.5<br>.177 | 6.3<br>.248  | 15.05<br>.593 | 1.95<br>.077 | 26.55<br>1.045 | 20.62<br>.812  | 22.15<br>.872  | 3.15<br>.124 | 3.2<br>.126 | 3<br>.118   |
| 14         | 22.25<br>.876  | 19.8<br>.780  | 4.5<br>.177 | 6.3<br>.248  | 15.05<br>.593 | 1.95<br>.077 | 28.95<br>1.140 | 23.01<br>.906  | 25.3<br>1.120  | 3.15<br>.124 | 3.2<br>.126 | 3<br>.118   |
| 16         | 25.4<br>1.000  | 19.8<br>.780  | 4.5<br>.177 | 6.3<br>.248  | 15.05<br>.593 | 1.95<br>.077 | 31.3<br>1.232  | 24.61<br>.969  | 28.45<br>1.120 | 3.15<br>.124 | 3.2<br>.126 | 3<br>.118   |
| 18         | 28.6<br>1.126  | 19.8<br>.780  | 4.5<br>.177 | 6.3<br>.248  | 15.05<br>.593 | 1.95<br>.077 | 33.7<br>1.327  | 26.97<br>1.062 | 31.65<br>1.246 | 3.15<br>.124 | 3.2<br>.126 | 3<br>.118   |
| 20         | 31.75<br>1.250 | 20.95<br>.825 | 4.6<br>.181 | 6.3<br>.248  | 16.6<br>.654  | 2.4<br>.094  | 36.9<br>1.453  | 29.36<br>1.156 | 34.8<br>1.370  | 3.15<br>.124 | 3.2<br>.126 | 5.4<br>.213 |
| 22         | 34.95<br>1.376 | 21.8<br>.858  | 3.7<br>.146 | 5.55<br>.219 | 16.6<br>.654  | 2.4<br>.094  | 40.1<br>1.579  | 31.75<br>1.250 | 38<br>1.496    | 3.15<br>.124 | 3.2<br>.126 | 5.4<br>.213 |
| 24         | 38.1<br>1.500  | 21.8<br>.858  | 3.7<br>.146 | 5.55<br>.219 | 16.6<br>.654  | 2.4<br>.094  | 43.25<br>1.703 | 34.92<br>1.375 | 41.2<br>1.622  | 3.3<br>.130  | 3.2<br>.126 | 5.4<br>.213 |

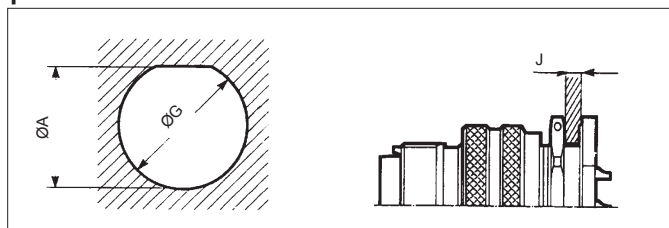


# 8526 Series

## Jam nut receptacle - 7 H type

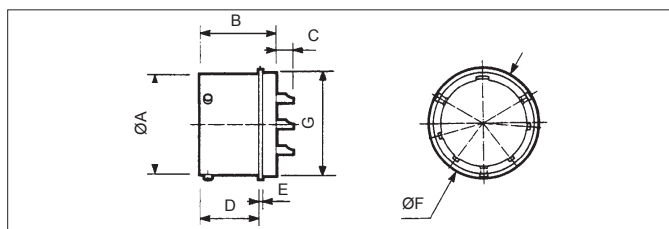


### panel cut-out

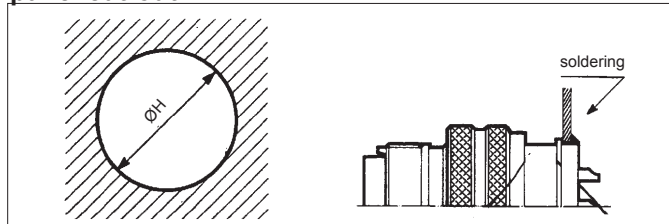


| shell size | A              | B             | C           |             | D             | E              | F              | G              | H              | J            |              |
|------------|----------------|---------------|-------------|-------------|---------------|----------------|----------------|----------------|----------------|--------------|--------------|
|            | Max            | Max           | # 20        | # 12 # 16   | Max           | Max            | Max            |                |                | min          | Max          |
| 08         | 12.05<br>.474  | 20.73<br>.816 | 3.4<br>.134 | —           | 17.95<br>.707 | 24.2<br>.953   | 27.34<br>1.076 | 14.6<br>.575   | 13.75<br>.541  | 1.57<br>.062 | 4.75<br>.187 |
| 10         | 15<br>.591     | 20.73<br>.816 | 3.4<br>.134 | —           | 17.95<br>.707 | 27.34<br>1.076 | 30.52<br>1.202 | 17.75<br>.699  | 16.95<br>.667  | 1.57<br>.062 | 4.75<br>.187 |
| 12         | 19.05<br>.750  | 20.73<br>.816 | 3.4<br>.134 | 5.2<br>.205 | 17.95<br>.707 | 32.12<br>1.265 | 35.29<br>1.389 | 22.5<br>.886   | 21.5<br>.846   | 1.57<br>.062 | 4.75<br>.187 |
| 14         | 22.25<br>.876  | 20.73<br>.816 | 3.4<br>.134 | 5.2<br>.205 | 17.95<br>.707 | 35.29<br>1.389 | 38.47<br>1.515 | 25.7<br>1.012  | 24.2<br>.962   | 1.57<br>.062 | 4.75<br>.187 |
| 16         | 25.4<br>1.000  | 20.73<br>.816 | 3.4<br>.134 | 5.2<br>.205 | 17.95<br>.707 | 38.47<br>1.515 | 41.64<br>1.639 | 28.85<br>1.136 | 27.35<br>1.077 | 1.57<br>.062 | 4.75<br>.187 |
| 18         | 28.6<br>1.126  | 20.73<br>.816 | 3.4<br>.134 | 5.2<br>.205 | 17.95<br>.707 | 41.64<br>1.639 | 44.82<br>1.765 | 32.05<br>1.262 | 30.55<br>1.203 | 1.57<br>.062 | 4.75<br>.187 |
| 20         | 31.75<br>1.250 | 23.08<br>.909 | 2.8<br>.110 | 4.5<br>.177 | 19.5<br>.768  | 46.39<br>1.826 | 49.59<br>1.952 | 35.2<br>1.386  | 33.7<br>1.327  | 1.57<br>.062 | 6.35<br>.250 |
| 22         | 34.95<br>1.376 | 23.08<br>.909 | 2.8<br>.110 | 4.5<br>.177 | 19.5<br>.768  | 49.59<br>1.952 | 52.74<br>2.076 | 38.4<br>1.512  | 36.9<br>1.453  | 1.57<br>.062 | 6.35<br>.250 |
| 24         | 38.1<br>1.500  | 23.83<br>.938 | 2<br>.079   | 3.8<br>.150 | 20.15<br>.793 | 52.74<br>2.076 | 55.92<br>2.202 | 41.55<br>1.636 | 40.05<br>1.577 | 1.57<br>.062 | 5.55<br>.219 |

## Hermetic solder fixing receptacle - 1 H type



### panel cut-out



| shell size | A              | B            | C           |             | D            | E           | F              | G              | H              |
|------------|----------------|--------------|-------------|-------------|--------------|-------------|----------------|----------------|----------------|
|            | Max            | Max          | # 20        | # 12 # 16   | Max          | Max         | Max            | Max            |                |
| 08         | 12.05<br>.474  | 19.5<br>.768 | 4.5<br>.177 | —           | 15.1<br>.594 | 1.1<br>.043 | 16.1<br>.634   | 14.27<br>.562  | 14.48<br>.570  |
| 10         | 15<br>.591     | 19.5<br>.768 | 4.5<br>.177 | —           | 15.1<br>.594 | 1.1<br>.043 | 19.3<br>.762   | 17.06<br>.680  | 17.27          |
| 12         | 19.05<br>.750  | 19.5<br>.768 | 4.5<br>.177 | 6.3<br>.248 | 15.1<br>.594 | 1.1<br>.043 | 21.65<br>.852  | 19.83<br>.781  | 20.04<br>.789  |
| 14         | 22.25<br>.876  | 19.5<br>.768 | 4.5<br>.177 | 6.3<br>.248 | 15.1<br>.594 | 1.1<br>.043 | 24.85<br>.978  | 23.01<br>.906  | 23.22<br>.914  |
| 16         | 25.4<br>1.000  | 19.5<br>.768 | 4.5<br>.177 | 6.3<br>.248 | 15.1<br>.594 | 1.1<br>.043 | 28<br>1.102    | 26.18<br>1.031 | 26.39<br>1.039 |
| 18         | 28.6<br>1.126  | 19.5<br>.768 | 4.5<br>.177 | 6.3<br>.248 | 15.1<br>.594 | 1.1<br>.043 | 31.15<br>1.226 | 29.36<br>1.156 | 29.57<br>1.164 |
| 20         | 31.75<br>1.250 | 21.1<br>.831 | 4.5<br>.177 | 6.3<br>.248 | 16.7<br>.657 | 1.1<br>.043 | 33.55<br>1.321 | 31.74<br>1.250 | 31.95<br>1.258 |
| 22         | 34.95<br>1.376 | 22<br>.866   | 3.7<br>.146 | 5.5<br>.217 | 16.7<br>.657 | 1.1<br>.043 | 36.75<br>1.447 | 34.92<br>1.375 | 35.13<br>1.383 |
| 24         | 38.1<br>1.500  | 22<br>.866   | 3.7<br>.146 | 5.5<br>.217 | 16.7<br>.657 | 1.1<br>.043 | 39.95<br>1.573 | 38.09<br>1.500 | 38.3<br>1.508  |

## Caps

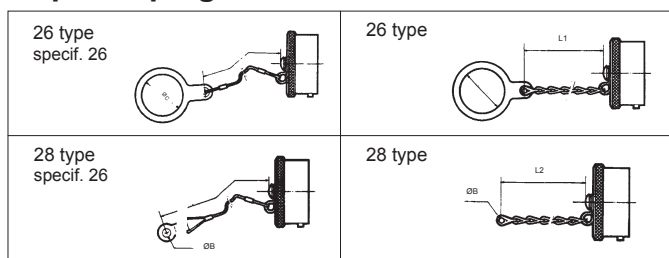
|               |   |     |    |   |    |    |
|---------------|---|-----|----|---|----|----|
| basic series  |   | 852 | 27 | G | 10 | •• |
| caps type     | 26 - cap for plug (plug fixing)<br>27 - cap for square flange receptacle<br>28 - cap for plug (backshell fixing)<br>29 - cap for jam nut receptacle |     |    |   |    |    |
| plating       | G - olive green cadmium<br>N - nickel   |     |    |   |    |    |
| shell size    | 08-10-12-14-16-18-20-22-24  |     |    |   |    |    |
| specification | - metallic chain : without digit<br>26 - nylon cord   |     |    |   |    |    |



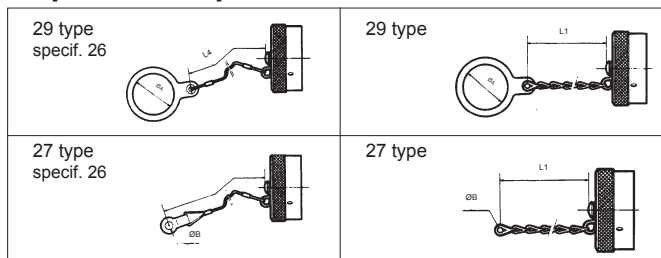
# 8526 Series

## Caps

### Caps for plug



### Caps for receptacle

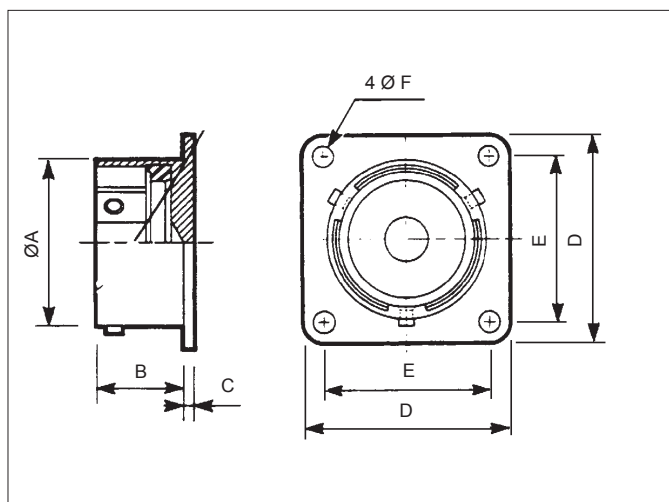


| shell size | A Max         | B Max       | C Max         | L1           | L2           | L3           | L4           |
|------------|---------------|-------------|---------------|--------------|--------------|--------------|--------------|
| 08         | 14.8<br>.583  | 3.5<br>.138 | 14.8<br>.583  | 84<br>3.307  | 132<br>5.197 | 128<br>5.039 | 80<br>3.150  |
| 10         | 17.9<br>.705  | 3.5<br>.138 | 17.9<br>.705  | 84<br>3.307  | 132<br>5.197 | 128<br>5.039 | 80<br>3.150  |
| 12         | 22.7<br>.894  | 3.5<br>.138 | 22.7<br>.894  | 100<br>3.937 | 148<br>5.827 | 140<br>5.512 | 90<br>3.543  |
| 14         | 25.9<br>1.020 | 3.5<br>.138 | 25.9<br>1.020 | 100<br>3.937 | 148<br>5.827 | 140<br>5.512 | 90<br>3.543  |
| 16         | 29<br>1.142   | 3.5<br>.138 | 29<br>1.142   | 10<br>3.937  | 148<br>5.827 | 140<br>5.512 | 90<br>3.543  |
| 18         | 32.2<br>1.268 | 3.5<br>.138 | 32.2<br>1.268 | 100<br>3.937 | 148<br>5.827 | 140<br>5.512 | 90<br>3.543  |
| 20         | 35.4<br>1.394 | 3.5<br>.138 | 35.4<br>1.394 | 116<br>4.567 | 168<br>6.614 | 153<br>6.024 | 110<br>4.331 |
| 22         | 38.6<br>1.520 | 3.5<br>.138 | 38.6<br>1.520 | 116<br>4.567 | 168<br>6.614 | 153<br>6.024 | 110<br>4.331 |
| 24         | 41.7<br>1.642 | 3.5<br>.138 | 41.7<br>1.642 | 116<br>4.567 | 168<br>6.614 | 153<br>6.024 | 110<br>4.331 |

## Panel gaskets

| shell size | part numbers                     |   |
|------------|----------------------------------|---|
|            | gaskets square flange receptacle | o ring - jam nut receptacle 07 and 7 H type |
| 08         | 8525-1431                        | 70617A                                      |
| 10         | 8525-1432                        | 70618A                                      |
| 12         | 8525-1433                        | 70619A                                      |
| 14         | 8525-1434                        | 70620A                                      |
| 16         | 8525-1435                        | 70621A                                      |
| 18         | 8525-1436                        | 70622A                                      |
| 20         | 8525-1437                        | 70623A                                      |
| 22         | 8525-1438                        | 70624A                                      |
| 24         | 8525-1439                        | 70625A                                      |

## Dummy receptacle



| shell size | part number |            | A Max          | B Max         | C            | D Max          | E              | F            |
|------------|-------------|------------|----------------|---------------|--------------|----------------|----------------|--------------|
|            | Olive green | nickel     |                |               |              |                |                |              |
| 08         | 8526-0708   | 8526-07N08 | 12.03<br>.474  | 11.7<br>.461  | 1.35<br>.053 | 21<br>.827     | 15.09<br>.594  | 3.1<br>.122  |
| 10         | 8526-0710   | 8526-07N10 | 15.01<br>.591  | 11.7<br>.461  | 1.35<br>.053 | 24.2<br>.953   | 18.26<br>.719  | 3.1<br>.122  |
| 12         | 8526-0712   | 8526-07N12 | 19.07<br>.751  | 11.7<br>.461  | 1.35<br>.053 | 26.55<br>1.045 | 20.62<br>.812  | 3.1<br>.122  |
| 14         | 8526-0714   | 8526-07N14 | 22.25<br>.876  | 11.7<br>.461  | 1.35<br>.053 | 29<br>1.142    | 23.01<br>.906  | 3.1<br>.122  |
| 16         | 8526-0716   | 8526-07N16 | 25.42<br>1.001 | 11.7<br>.461  | 1.35<br>.053 | 31.3<br>1.232  | 24.61<br>.969  | 3.1<br>.122  |
| 18         | 8526-0718   | 8526-07N18 | 28.6<br>1.126  | 11.7<br>.461  | 1.35<br>.053 | 33.7<br>1.327  | 26.97<br>1.062 | 3.1<br>.122  |
| 20         | 8526-0720   | 8526-07N20 | 31.77<br>1.251 | 14.35<br>.565 | 2.15<br>.085 | 36.9<br>1.453  | 29.36<br>1.156 | 3.1<br>.122  |
| 22         | 8526-0722   | 8526-07N22 | 34.95<br>1.376 | 14.35<br>.565 | 2.15<br>.085 | 40<br>1.575    | 31.75<br>1.250 | 3.1<br>.122  |
| 24         | 8526-0724   | 8526-07N24 | 38.12<br>1.501 | 15.2<br>.598  | 2.15<br>.085 | 43.3<br>1.705  | 34.92<br>1.375 | 3.75<br>.148 |

## Reusable fixing plates

Two, three or four holes locking fixing plates are available at SHTP. See page 743