



MS 90362 (SIX PIN) GENERAL SPECIFICATIONS

Contacts, Power	Thread, 3/8-24UNF-2A Silver plated Copper Alloy	Contacts, Control	Thread, 10-32UNF-2A Silver plated Copper Alloy
Nut	MS35650-3385T	Nut	MS35650-305T
Flat Washer	AN961-616T	Flat Washer	AN961-10T
Lock Washer	MS35335-91	Lock Washer	MS35335-88
Receptacle Base Molded Polyester / Glass			

MS 3506-1 (THREE PIN) GENERAL SPECIFICATIONS

Contacts, Power	Thread, 3/8-24UNF-2A Silver plated Copper Alloy	Contacts, Control	Thread, 10-32UNF-2A Silver plated Copper Alloy
Nut	MS35650-3385T	Nut	MS35650-305T
Flat Washer	AN961-616T	Flat Washer	AN961-10T
Lock Washer	MS35335-91	Lock Washer	MS35335-88
Receptacle Base Molded Polyester / Glass			
Shield Aluminum, Epoxy Coated, permanently attached			

ORDERING NOMENCLATURE

**EXTERNAL AIRCRAFT RECEPTACLES AND ASSOCIATED COMPONENTS
MILITARY AND CORSAIR PART NUMBER CROSS REFERENCE**

Description	Military Part No.	Corsair Part No.	Remarks
Connector, Receptacle, External Electric Power Aircraft, 115/200 volt, 400 Hertz, (six pin)	MS 90362-1	CJ01 GP6RP-1	with Shield only
	MS 90362-3	CJ01 GP6RP	basic receptacle only
	MS 90362-4	CJ01 GP6RP-4	with Shield and Cover

Shield (for six pin)	MS 17845-1	014-1627-001	
Cover (for six pin)	MS 3505-1	411-1600-001	

Description	Military Part No.	Corsair Part No.	Remarks
Connector, Receptacle, External Electrical Power, Aircraft, 28 VDC Operating power, (three pin)	MS 3506-1	CJ01GP3RP	Receptacle with shield
	N/A	CJ01GP3RP-1	Receptacle with no shield, (with no applicable military part number)



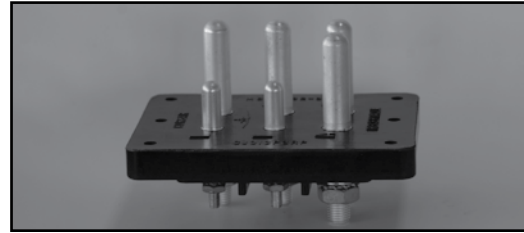
MS 90362 SERIES

CONNECTOR, RECEPTACLE, EXTERNAL ELECTRIC POWER, AIRCRAFT, 115/200 VOLT, 400 HERTZ, SIX PIN

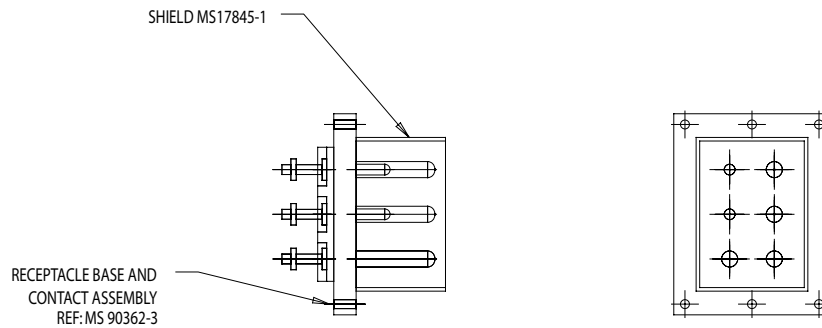
- MS 90362-1** Six pin receptacle with Shield (MS 17845-1)

- MS 90362-3** Six pin receptacle only

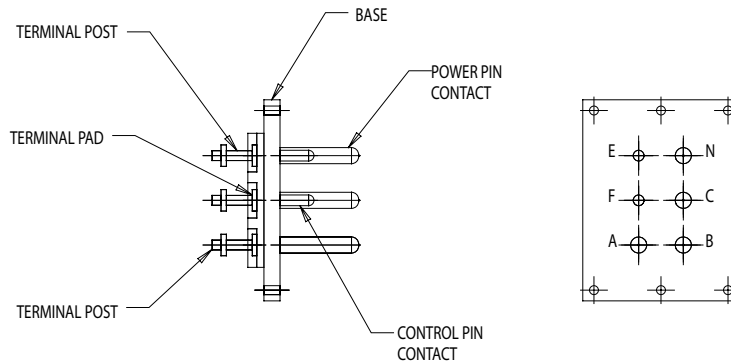
- MS 90362-4** Six pin receptacle with Shield (MS 17845-1) and Cover (MS 3505-1)



MS 90362-1 Six Pin Receptacle with Shield (MS 17845-1)



MS 90362-3 Six Pin Receptacle Only



MS 90362-4 Six Pin Receptacle with Shield (MS 17845-1) and Cover (MS 3505-1)

